

Securifor® SUPER 10 Installation Manual

Tested and certificate LPS 1175 issue 8 B3

B BETA FENCE

- **LPS 1175 Certified – Security Rating B3 :**

Securifor® Super 10 system has successfully passed resistance testing in accordance with the UK's benchmark standard for perimeter security. It is engineered to **withstand a sustained attack using Category B3 tools** with a minimum penetration time of 3 minutes, including saws, bolt cutters, heavy-duty screwdrivers, hammers, and levers, a critical guarantee for facilities that require proven protection against aggressive intrusion attempts.



- **1. The components of the fencing system**

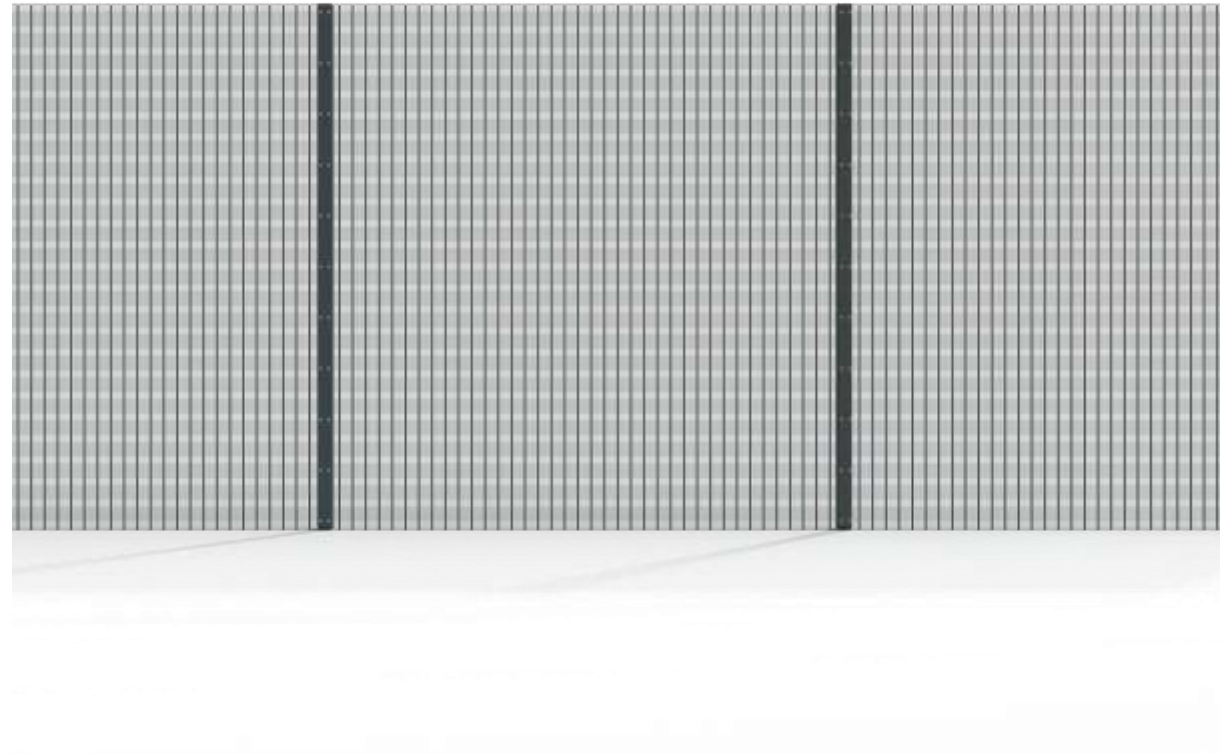
- 1.1 Posts
- 1.2 Cover plates
- 1.3 Securifor Super 10 panels
- 1.4 Bottom L-profiles
- 1.5 Posts with base plates

- **2. Installation of Securifor Super 10**

- 2.1 Install foundations
- 2.2 Install posts
- 2.3 Install panels
- 2.4 Install bottom L-profiles

- **3. Options**

- Add-ons
- Special cases



1. The components of the fencing system

- 1.1 Posts
- 1.2 Cover plates
- 1.3 Securifor Super 10 panels
- 1.4 Bottom L-profiles
- 1.5 Posts with base plates

1. The components of the fencing system

1.1 Posts

Profiles:

80 x 80 x 2 mm

80 x 80 x 3 mm

80 x 80 x 4 mm

→ The section of the post depends on the height and width of the fence, or can be made to special requirements of the customer.

Types:

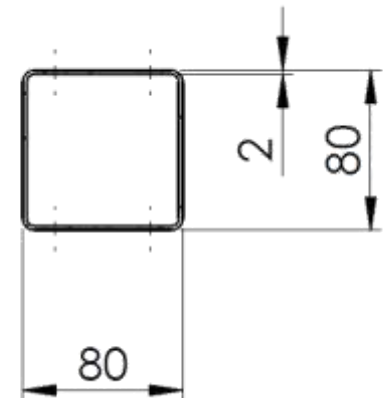
Intermediate, end and corner posts

Posts are foreseen of the appropriate holes

Posts are covered with plastic caps



Posts are standard without base plate. Posts with base plates are available on request



1. The components of the fencing system

- 1.1 Posts

Post profile (mm)**	Height fence (mm)	Height embedded post (mm)	Height Baseplated post (mm)	Number of holes
80 x 80 x 2	2000	2784	2034	2 x 7
80 x 80 x 2	2400	3190	2440	2 x 9
80 x 80 x 2	3000	3774	3024	2 x 11
80 x 80 x 3 *	4000	4928	4028	2 x 14

* 80x80x4 for panels wider than 2515mm when system height is taller than 3m.

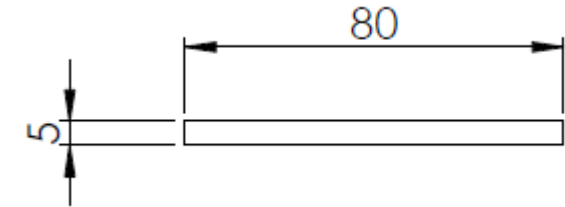
** The post profile can be adapted to specific requirements of the installation. The engineering department should be consulted for more information.

1. The components of the fencing system

- 1.2 Cover plates

- 80 x 5 mm

- Height of the cover plates is similar to the panel height (2; 2,4; 3; 4m)
 - Cover plates are fixed with Mushroom Head Squareneck bolts M8 (DIN 603) with washer and self-breaking nut, button head screws M8x110 or M8x120 and washer, all in stainless steel.



1. The components of the fencing system

- 1.3 Securifor® Super 10 panels

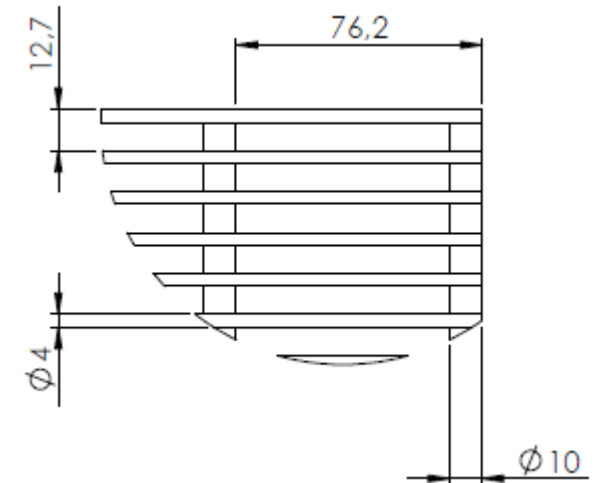
DIMENSIONS OF THE SECURIFOR® PANELS (mm)

width	2286	2515	2972
2007	Standard	Standard	Standard
2311	Buried ~300mm	Buried ~300mm	Buried ~300mm
2413	Standard	Standard	Standard
2717	Buried ~300mm	Buried ~300mm	Buried ~300mm
2997	Standard	Standard	Standard
3302	Buried ~300mm	Buried ~300mm	Buried ~300mm
4001	Standard	Standard	Standard

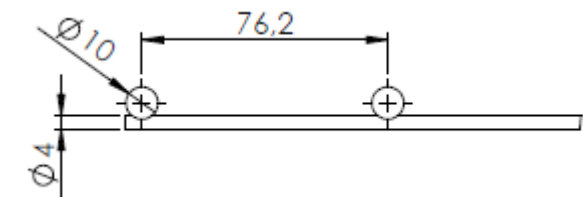
Other dimensions are possible for major quantities on request.

Panel drawing family: SSW50P8000XX

Front Detail View



Top Detail View

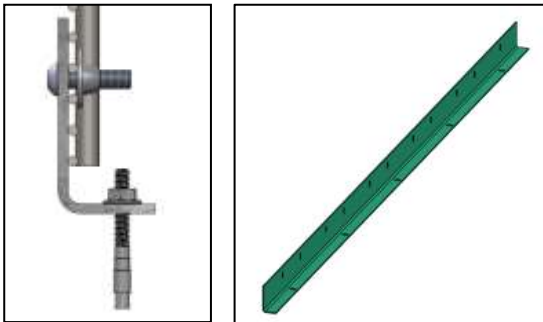


1. The components of the fencing system

1.4 Bottom L-profiles

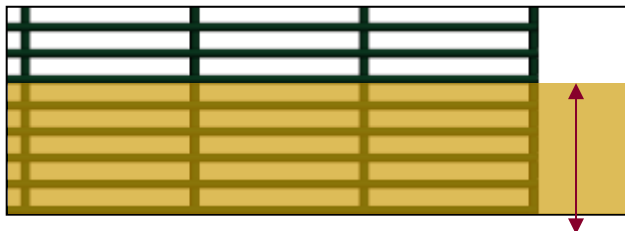
- The standard is to secure the bottom of the panel to concrete with a bottom L-profile. This increases rigidity and security.
- An optional alternative is to use extended panels, and to bury the bottom 24 wires in concrete.

1.L-profile screwed at the bottom



- An L-profile that's fixed to the bottom of the panel (L = 80x40x4mm)
- Fixed with bolts M8x30 ISO 7380, washer ISO M8 7093 and self-breaking nut M8
- Fixation set (50x) => SAP 7078421
- Drawing family: SSW49P80001X

2. Panel buried in concrete

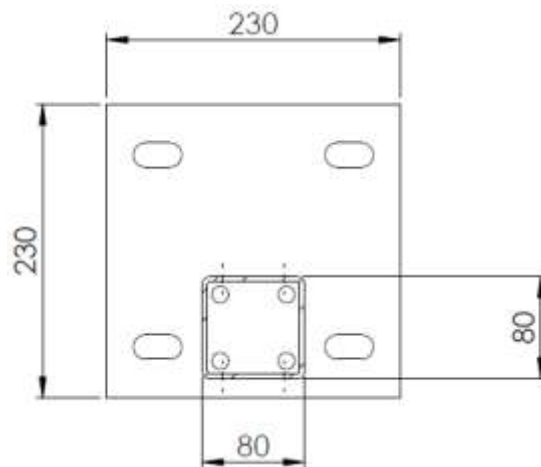


- Bury the 24 bottom horizontal wires of the Securifor panel into the concrete or soil

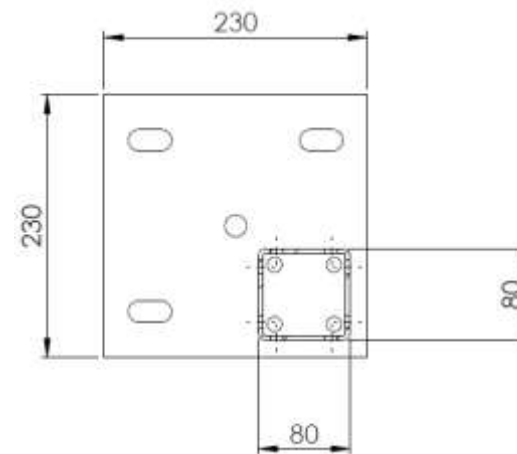
1. The components of the fencing system

1.5 Posts with base plates

- The standard posts are embedded in concrete foundations. Posts with base plates are an optional alternative, Made To Order (MTO).
- Dimensions:
 - 230 x 230 x 12 mm base plate → SSW33P800000
- Remark that the size and thickness of the base plate is important for stability and should be checked for each project
- A special base plate is available for corners/end posts → SSW33P800001



SSW33P800000



SSW33P800001

2. Installation of Securifor® Super 10

- 2.1 Install foundations
- 2.2 Install posts
- 2.3 Install panels
- 2.4 Install bottom L-profiles

2. Installation of Securifor® Super 10 with rectangular posts

2.1 Install foundations

- Preparation of the site
 - To obtain the best results, it is recommended to clear (remove trees, branches, rocks, stones...) and level the area of the fence line over its full length
- Foundation dimensions:

Height fence (m)	Embedded Post length (mm)	Foundation dimensions (mm)
2m00	2784	450 x 450 x 750
2m40	3190	450 x 450 x 750
3m00	3774	450 x 450 x 750
4m00	4928	450 x 450 x 900

- Foundation dimensions are for normal European situations. You are advised to consult a specialist structural engineer to evaluate extraordinary wind load, local ground condition or any other special requirements. The dimensions of the foundation (concrete quality B30 is recommended) are related to the chosen height of the fence and/or the post.
- When posts are installed directly into concrete, the long posts need to be supported during curing of the concrete for as long as necessary.

2. Installation of Securifor® Super 10 with rectangular posts

2.1 Install foundations

- Tension a wire over the complete length of the installation, to make sure the posts are installed in a straight line
- Measure the distance between the holes, for the correct interdistance see slide 14
- Dig a hole with the right depth (average 900mm)



2. Installation of Securifor® Super 10 with rectangular posts

▪ 2.1 Install foundations

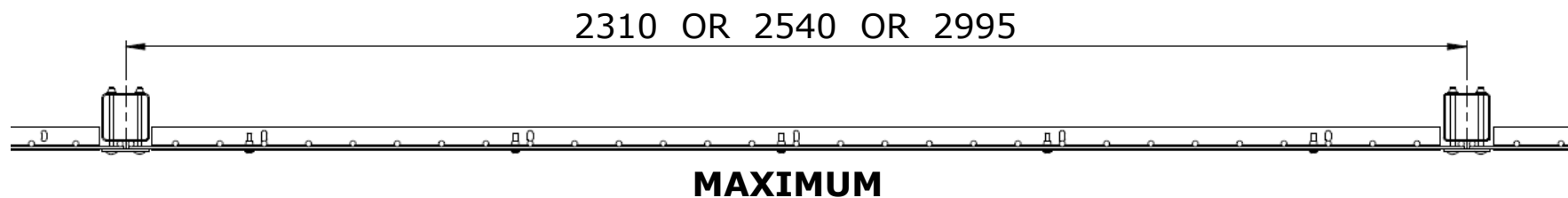
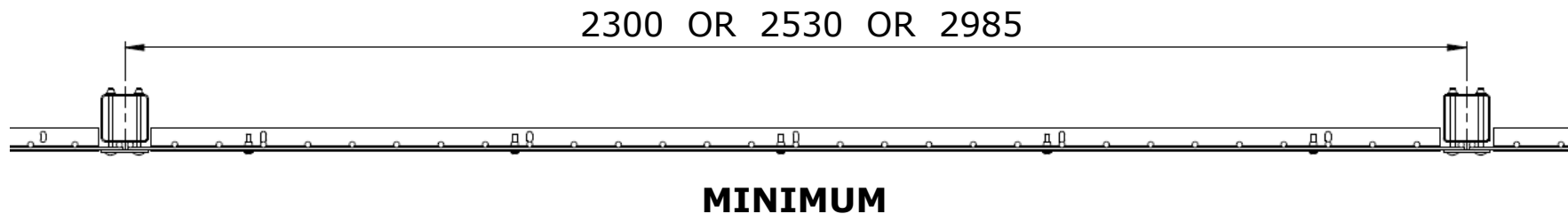
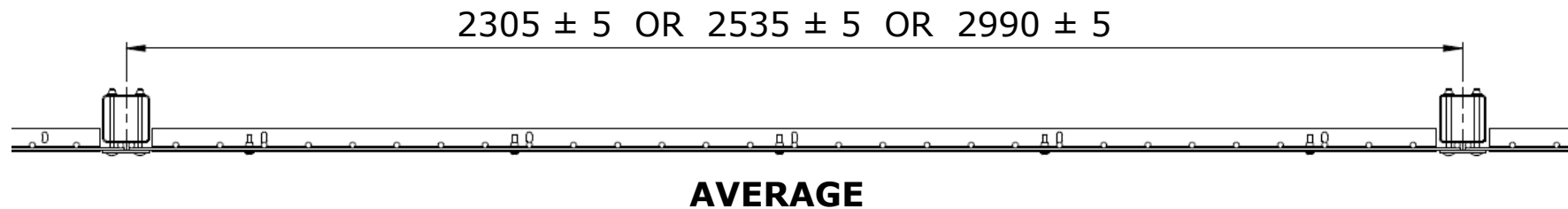
- Dig a trench between the post foundation holes
 - Shutter boards may be needed
- This is for the bottom L-profile to be anchored to later, or for the panel to be buried in.



2. Installation of Securifor® Super 10 with rectangular posts

2.1 Install foundations

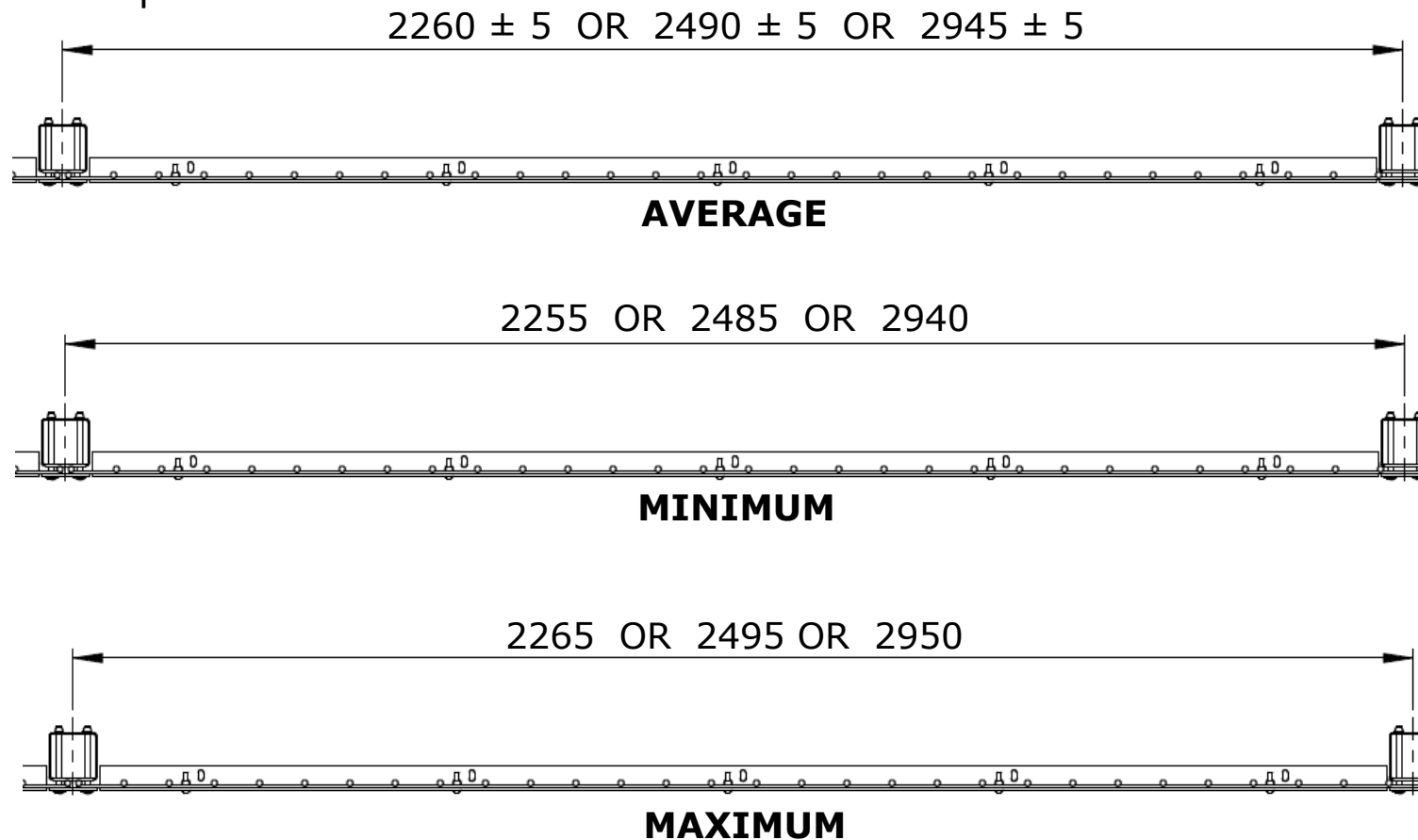
- Positioning of the intermediate posts:



2. Installation of Securifor® Super 10 with rectangular posts

2.1 Install foundations

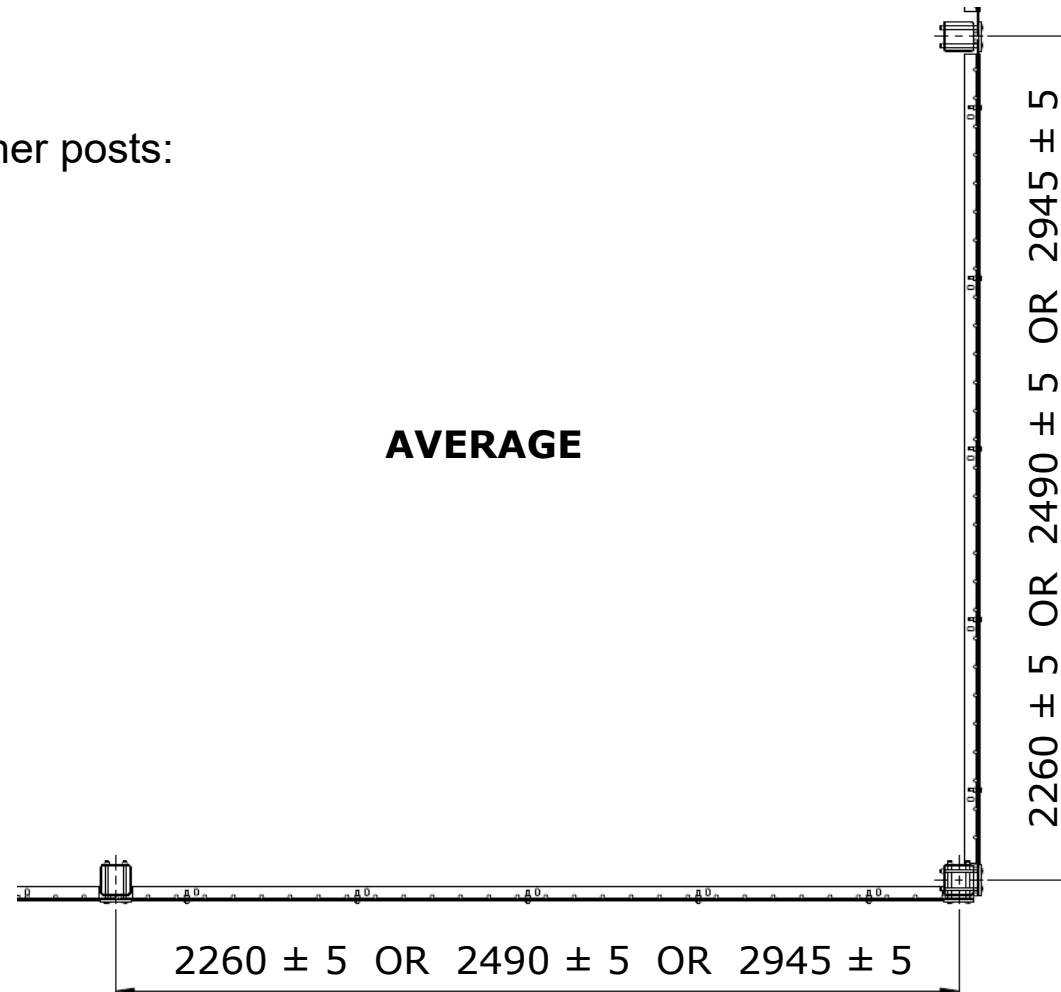
- Positioning of the end posts:



2. Installation of Securifor® Super 10 with rectangular posts

- 2.1 Install foundations

- Positioning of the corner posts:



2. Installation of Securifor® Super 10 with rectangular posts

2.2 Install posts

- Lift up the post and bring into the foundation hole
- Position the posts at the correct distance. If possible, use a wooden template to have a perfect installation
- Level the post so that you obtain a correct horizontal line of the fence (fix a bolt in every post to hold the template)
- A laser can also be used to determine the correct height of the posts



2. Installation of Securifor® Super 10 with rectangular posts

▪ 2.2 Install posts

- Level the post vertically
- Fill up the foundation hole with concrete
- Fill trench with concrete, unless panel is to be buried in concrete in which case, leave trench empty.



2. Installation of Securifor® Super 10

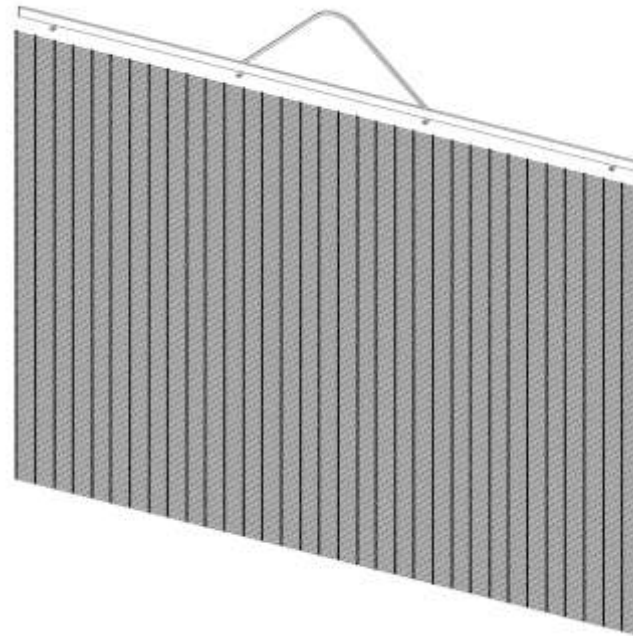
2.3 Install panels

Hanging the panel

Lifting the panel can be done by hand for the lower range or by using a crane for bigger heights.

Make sure the panel is lifted on multiple points so it can not fold in the middle.

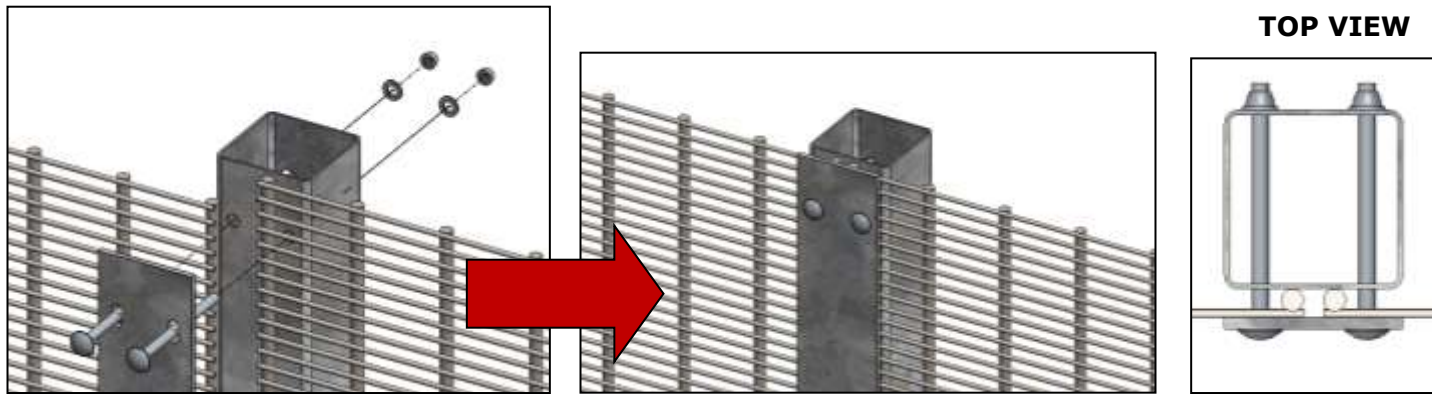
Preferably use a triangle shaped slat to take up the panel in a flat way.



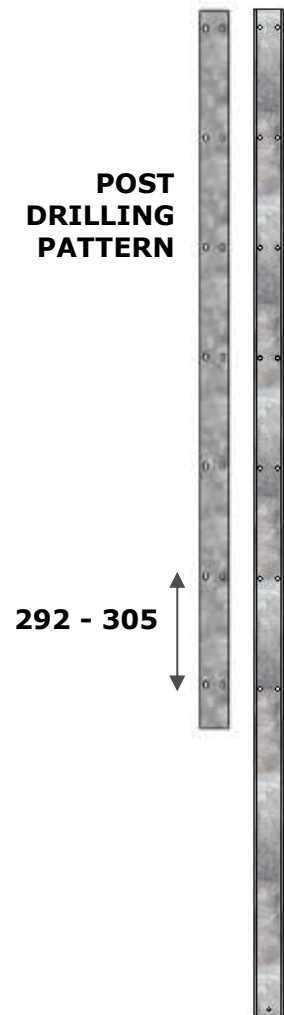
2. Installation of Securifor® Super 10 with rectangular posts

2.3 Install panels

- Installing cover plates



- Standard installation with cover plate screwed through the post with mushroom head square neck bolts M8, washer M8 and self-breaking nut M8. If necessary, bolts can also be screwed only at one side of the post (use post with inserts).



2. Installation of Securifor® Super 10

- 2.3 Install panels

Remark

In some cases, it can be hard to find the holes for the bolts when installing the cover plates. For ease of installation, it's allowed to use a 'secure' awl or screwdriver to slightly bow the wires of the panel, so the bolts can be mounted.



2. Installation of Securifor® Super 10

2.3 Install panels

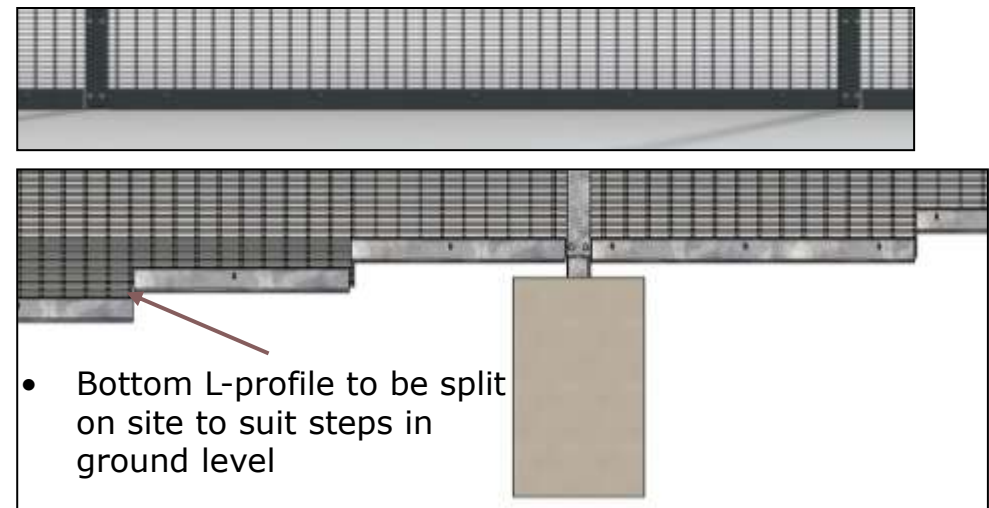
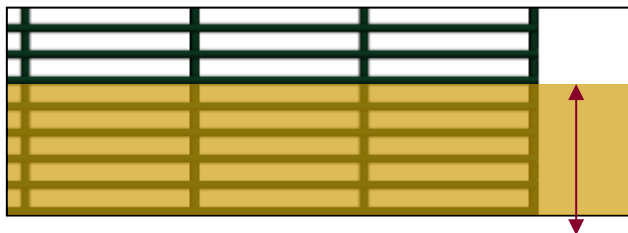
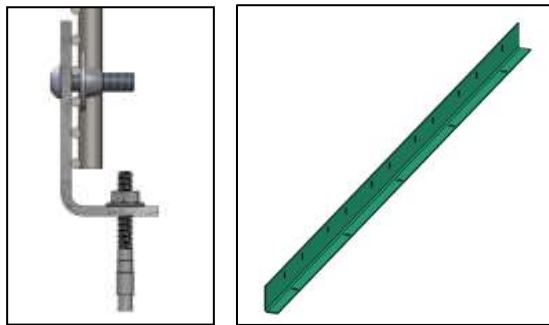
1. Hang the first panel, positioned as shown in the plan view below.
2. Install a cover plate on the first post with 2 bolts (top & bottom). Do not shear the nuts.
3. Temporarily fix the panel with a bolt to the second post. Do not shear the nut.
4. Install all other bolts on the first post. If the level is checked and ok, fix the bolts on the first post properly by shearing the nuts.
5. Hang the second panel, positioned centrally between the second and third posts.
6. Remove the bolt on the second post and install a cover plate with 2 bolts (top & bottom). Do not shear the nuts.
7. Temporarily fix the second panel with a bolt to the third post. Do not shear the nut.
8. Install all other bolts on the second post. If the level is checked and ok, fix the bolts on the second post properly by shearing the nuts.
9. For the next posts and panels: repeat steps 5 to 8
 - For the Nth panel, the “second panel” and “second post” and “third post” in steps 5 to 8, become the “Nth panel” and “Nth post” and “(N+1)th post”.



2. Installation of Securifor® Super 10

2.4 Install bottom L-profiles

1. Position the bottom L-profile on the concrete between the posts, with the front of the profile in front of the panel.
2. Mark on the concrete the positions of the anchor slots in the profile.
3. Remove L-profile, drill holes in marked positions and install ground anchors.
4. Reposition L-profile onto ground anchors and add the nuts without tightening.
5. Fix L-profile loosely against panel with all the washers & bolts, without shearing nuts.
6. Tighten all the ground anchor nuts to the required torque specification.
7. Shear all the nuts.



- If the panel is to be buried in concrete rather than anchored with a bottom L-profile, this is the point at which the trench must be filled with concrete, burying the bottom of the panel.

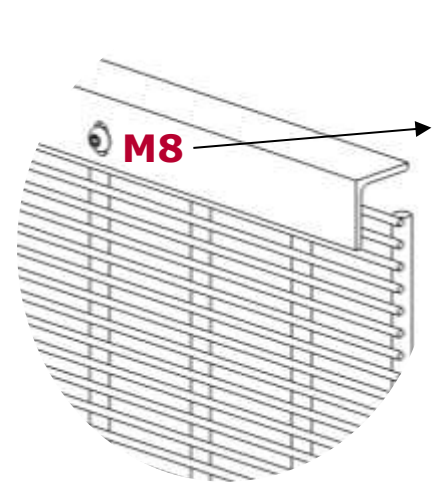
3. Optional

- Add-ons
- Special cases

3. Optional

- Add-ons :

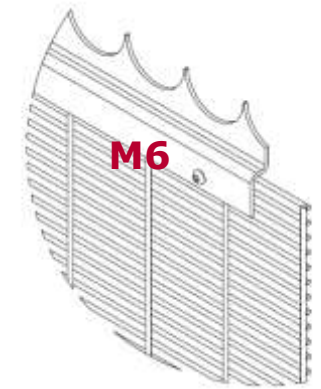
- Top profiles for higher rigidity and/or higher security



Angle / L-profile

Fixed with bolts M8x30 ISO 7380, washer ISO M8 7093 and self-breaking nut M8.

Fixation set (50x) (bolts + nuts + washers) SAP = 7078421



Z-profile with dental strip

Fixed with bolts ISO 7380 M6x25, M6 washer and nut (all in SS)

Fixation set (50x) (bolts + nuts + washers) SAP = 7078417

3. Optional

- Add-ons :

- Extension arms
- FP = 7025620 (HDG + RAL 6005)
- Drawing: SEC34P001001
- Fixation set (50x) => SAP 7064712
 - Mushroom head square neck bolts M8x80mm
+ security nut inox type M8 + washer inox M8
- Posts have to be 100mm longer at the top
- Can be used in conjunction with top profiles (see previous slide)



3. Optional

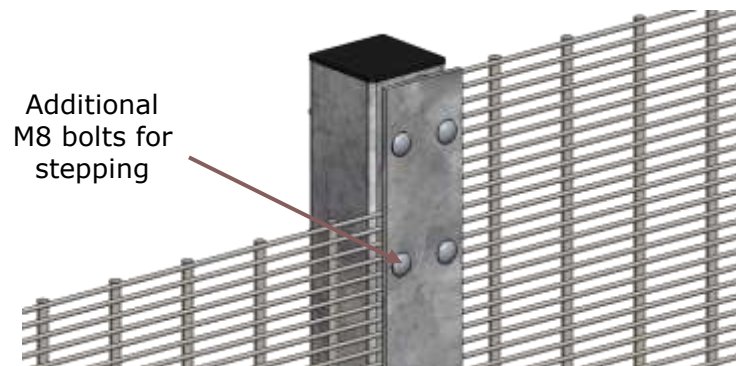
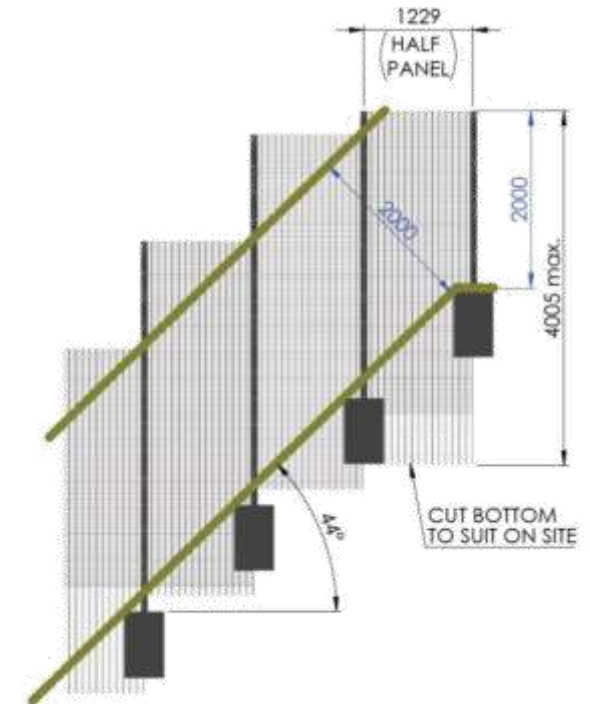
▪ **Special cases :**

- **Shortening of panels**

- If panels have to be shortened, for instance at the end of the fence-line or in the corners, this has to be done by complete meshes. This means by multiples of 76,2mm. The distance between two posts has to be reduced accordingly.

- **Slopes**

- In case of a slope, we recommend to check the different levels and to decide on the best positions, sizes and number of steps to be made.
- A step in height always has to be a multiple of 12,7mm.
- For any slope, the height of the fence perpendicular to ground level should at no point be less than the nominal system height on flat ground.



- Where a step occurs, a taller panel may be required, along with a longer post and cover plate with extra holes (MTO).

BETAFENCE