



Securifor® & B-THRU Posts

Installation Manual

0. Content

- **1. The components of the fencing system**
 - 1.1 posts
 - 1.2 cover plates
 - 1.3 neoprene strips
 - 1.4 the U-profile
 - 1.5 the Securifor panels
 - 1.6 posts with base plates

- **2. Installation of Securifor with B-THRU posts**
 - General rules for the installation
 - Install foundations
 - Install post
 - Install panels / way of installation:
 - With cover plates & panels in overlap
 - Panel types / post drilling pattern
 - Positioning of post & panels

- **3. Options**
 - Extra security
 - Special cases

1. The components of the fencing system

- 1.1 posts
- 1.2 cover plates
- 1.3 neoprene strips
- 1.4 anchor systems
- 1.5 the U-profile
- 1.6 the Securifor panels
- 1.7 posts with base plates

1. The components of the fencing system

■ 1.1 The posts:

Profiles:

- 80 x 60 x 2,5 mm

→ The section of the post depends on the height of the fence, or can be made to special requirements of the customer

Types:

- Intermediate, end and corner posts
- Posts are foreseen of the appropriate holes and inserts depending on the way of installation (see 3. way of installation)
- Posts are covered with plastic caps
- Posts are standard without base plate. Posts with base plates are available on request



1. The components of the fencing system

■ 1.2 The cover plates:

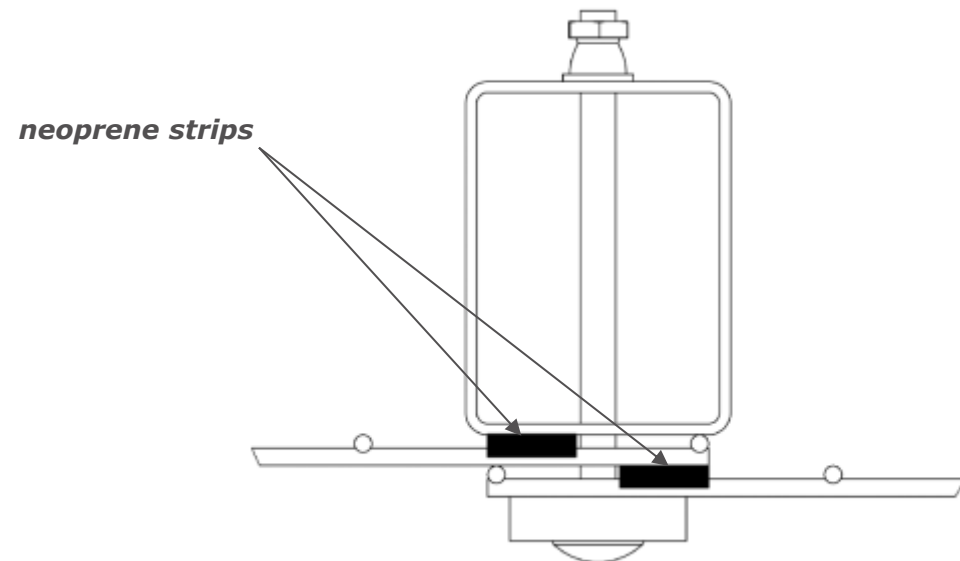
- 25 x 5 mm
- Hole pattern depending on the way of installation
(see 3. way of installation)
- Height of the cover plates is similar to the panel height (2, 2.4 and 3m)
- Cover plates are fixed with Mushroom Head Squareneck bolts M8 (DIN 603) with washer and self-breaking nut M8x100 or M8x120 and washer, all in stainless steel (type and length of the screw is also depending on the way of installation)



1. The components of the fencing system

■ 1.3 The neoprene strips:

- Self-adhesive strip 20 x 5 x 600 mm
- Strips are on the right length to fit between two inserts on a post
- Strips are placed as indicated in drawings below
- Used for sound reduction when panels are trembling and for flatness of installation
- Cover plates are standard installed with neoprene strips



1. The components of the fencing system

■ 1.4 the U-profile:

- U dimension: 35 x 13 mm, thickness 2mm
- Length of U-profile is standard 2420mm



SEC49P000006

- U-profiles are used for the reinforcement of the upper side of the Securifor panels. As alternative, L-profiles can be used (only MTO)
- A general rule is that flat Securifor panels (SEC50P000XXX) should always be installed with U-profiles on top, regardless of the way of installation
- U-profiles are fixed with Hexagon Socket Button Head Screws M6x25 (ISO 7380), M6 washers and nuts, all in stainless steel



ISO 7380

1. The components of the fencing system

■ 1.5 The Securifor panels:

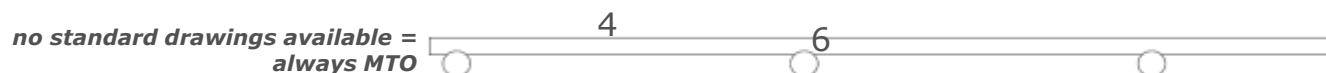
— Securifor



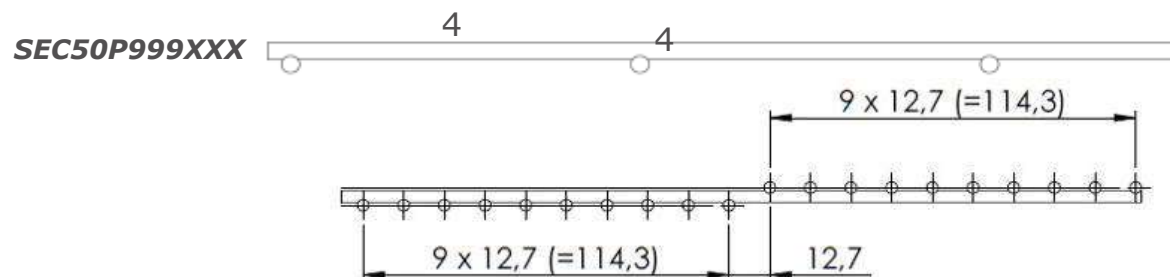
— Securifor 2D



— Securifor Super 6



— Securifor 4D



1. The components of the fencing system

■ 1.6 The Securifor panels:

Post profile (mm)**	Height fence (mm)	Height post (mm)	Number of holes *
80 x 60 x 2,50	2000	2600	7/9
80 x 60 x 2,50	2400	3100	8/10
80 x 60 x 2,50	3000	3700	9/11

* Depending on the way of installation (see 3. way of installation)

** The post profile can be adapted to specific requirements of the installation. The engineering department should be consulted for more information.

STANDARD DIMENSIONS OF THE SECURIFOR PANELS

panel height	Securifor	Securifor 2D	Securifor 3D	Securifor 4D	Securifor Super 6
finishing	PES / Zinalu super	PES	PES	PES	Zinalu super
2000 mm	x	x	x	x	
2400 mm	x	x	x	x	
3000 mm	x	x	x	x	

Other dimensions are possible for major quantities on request.

- **2. Installation of Securifor with B-THRU posts**

- General rules for the installation
- Install foundations
- Install post
- Install panels / way of installation:
 - With cover plates & panels in overlap
 - Panel types / post drilling pattern
 - Positioning of post & panels
 - Steps of installation

2. Installation of Securifor with B-THRU posts

- **General rules:**

1. For the installation of flat Securifor, regardless of the way of installation, a U-profile on top is required.
2. For flat Securifor with cover plates, a fixation at the bottom is advised.
3. For the installation of Securifor 2D/4D panels no bottom fixation or U-profile on top is required, unless for security reasons.

2. Installation of Securifor with B-THRU posts

■ Install foundations:

- Preparation of the site
 - To obtain the best results, it is recommended to clear (remove trees, branches, rocks, stones...) and level the area of the fence line over its full length
- Foundation dimensions:

Height fence (m)	Post section (mm)	Post length (m)	Foundation dimensions (cm)
2m00	80 x 60 x 2,5	2m60	45 x 45 x 90
2m40	80 x 60 x 2,5	3m10	45 x 45 x 90
3m00	80 x 60 x 2,5	3m70	45 x 45 x 90

- Foundation dimensions are for normal European situations. You are advised to consult a specialist structural engineer to evaluate extraordinary wind load, local ground condition or any other special requirements. The dimensions of the foundation (concrete quality B30 is recommended) are related to the chosen height of the fence and/or the post.
- When posts are installed directly into concrete, the long posts need to be supported during curing of the concrete for as long as necessary.

2. Installation of Securifor with B-THRU posts

■ Install foundations:

- Tension a wire over the complete length of the installation, to make sure the posts are installed in a straight line
- Measure the distance between the holes, for the correct interdistance see page 19
- Dig a hole with the right depth (average 900mm)



2. Installation of Securifor with B-THRU posts

■ Install posts:

- Lift up the post and bring into the foundation hole
- Position the posts at the correct distance. If possible, use a wooden template to have a perfect installation
- Level the post so that you obtain a correct horizontal line of the fence (fix a bolt in every post to hold the template)
- A laser can also be used to determine the correct height of the posts



2. Installation of Securifor with B-THRU posts

- **Install posts:**
 - Level the post vertically
 - Fill up the foundation hole with concrete

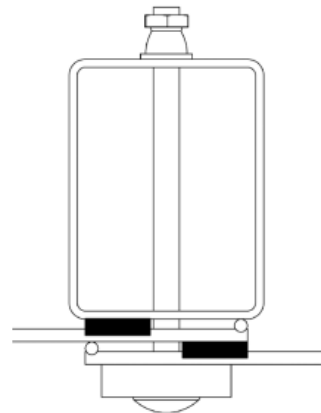


2. Installation of Securifor with B-THRU posts

- **Install panels:**

Installation

1. Installation with cover plates – panels in overlap
(2 possibilities: panels in same direction – panels alternately rotated 180°)

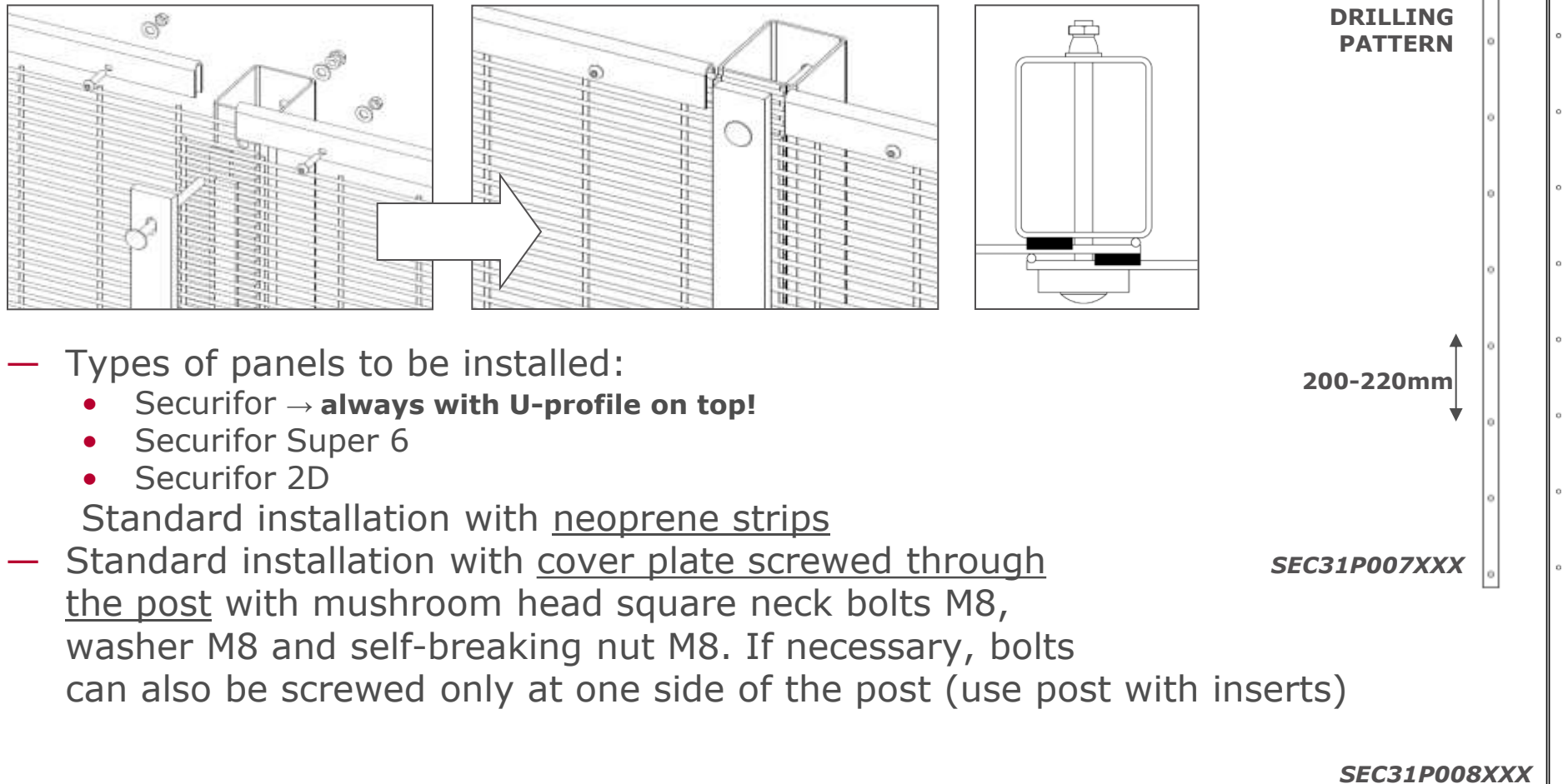


post interdistance

2485 mm
(+13/-13)

2. Installation of Securifor with B-THRU posts

- Installation with cover plates – panels in overlap & in same direction:



— Types of panels to be installed:

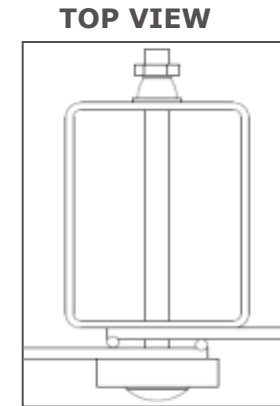
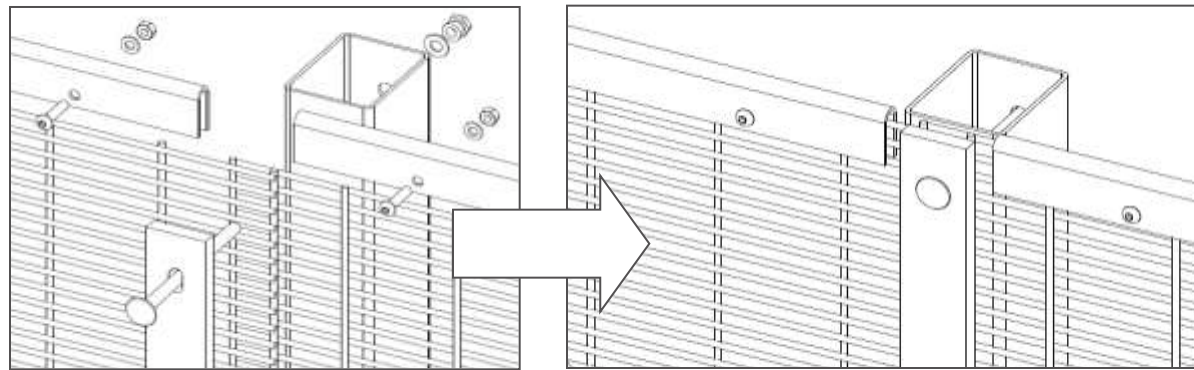
- Securifor → **always with U-profile on top!**
- Securifor Super 6
- Securifor 2D

Standard installation with neoprene strips

— Standard installation with cover plate screwed through the post with mushroom head square neck bolts M8, washer M8 and self-breaking nut M8. If necessary, bolts can also be screwed only at one side of the post (use post with inserts)

2. Installation of Securifor with B-THRU posts

- Installation with cover plates – panels in overlap & in opposite direction:



POST
DRILLING
PATTERN

200-220mm

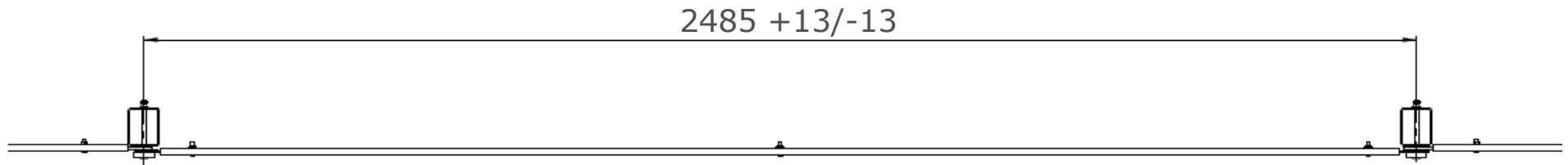
SEC31P007XXX

SEC31P008XXX

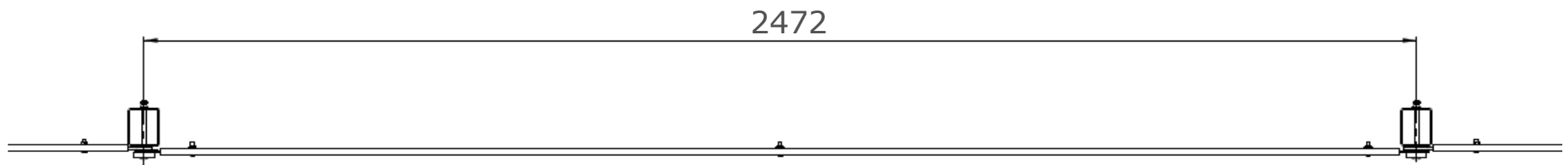
- Types of panels to be installed:
 - Securifor → **always with U-profile on top!**
 - Securifor 2D
 - Securifor Super 6
- Standard installation with cover plate screwed through the post with mushroom head square neck bolts M8, washer M8 and self-breaking nut M8. If necessary, bolts can also be screwed only at one side of the pos

2. Installation of Securifor with B-THRU posts

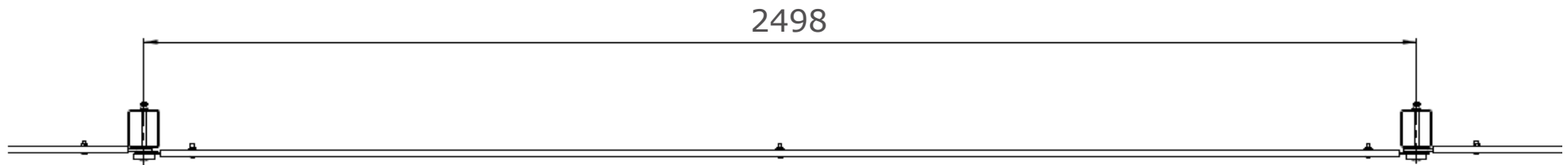
- **Installation with cover plates – panels in overlap:**
 - Positioning of the intermediate posts:



AVERAGE



MINIMUM

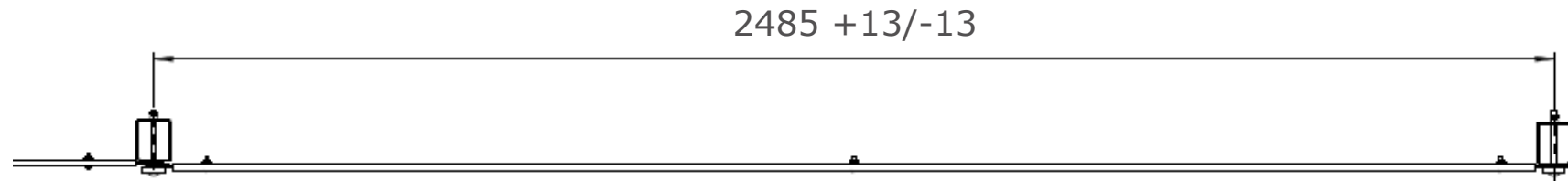


MAXIMUM

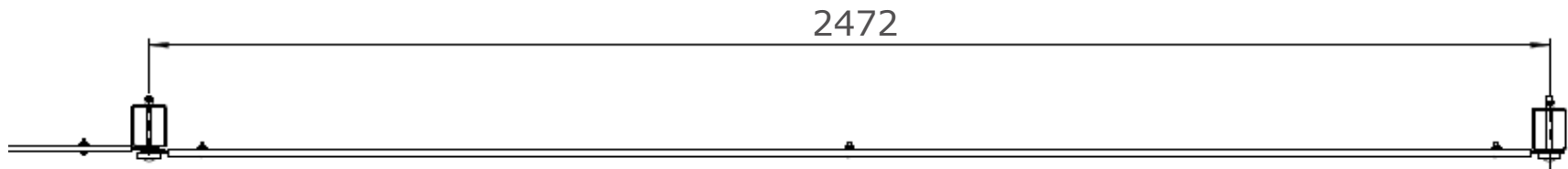
2. Installation of Securifor with B-THRU posts

- **Installation with cover plates – panels in overlap:**

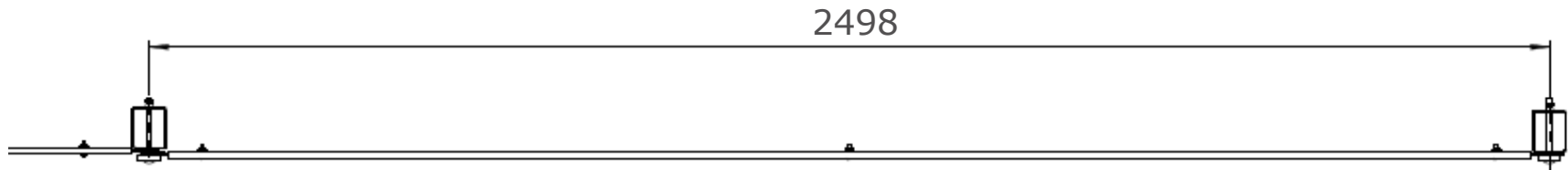
- Positioning of the end posts:



AVERAGE



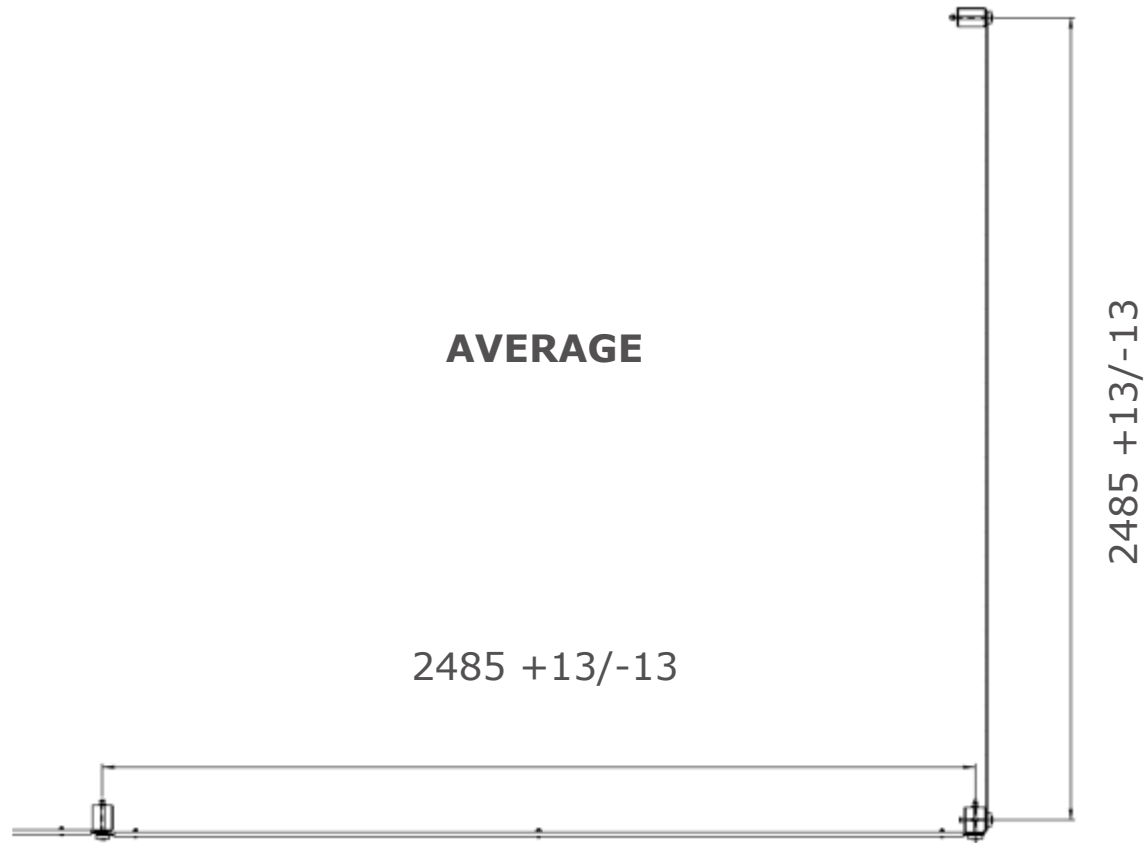
MINIMUM



MAXIMUM

2. Installation of Securifor with B-THRU posts

- **Installation with cover plates – panels in overlap:**
 - Positioning of the corner posts:



2. Installation of Securifor with B-THRU posts

- Installation with cover plates – panels in overlap:



2. Installation of Securifor with B-THRU posts

■ Installation with cover plates – panels in overlap:

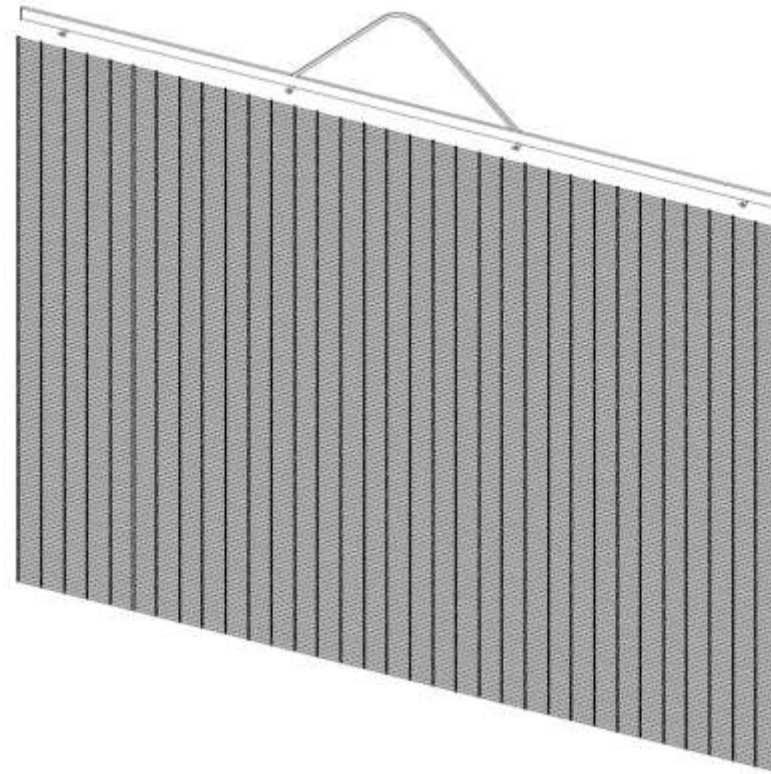
Install the panels

1. Lift up the panel

Lifting the panel can be done by hand for the lower range or by using a crane for bigger heights.

Make sure the panel is lifted on multiple points so it can not fold in the middle.

Preferably use a triangle shaped slat to take up the panel in a flat way.



2. Installation of Securifor with B-THRU posts

■ Installation with cover plates – panels in overlap:

Install the panels

1. First glue the neoprene strips on 1 side of the inserts. (Only for panels in the same direction)
2. Hang the first panel and install a cover plate on the first post with 2 bolts (top & bottom)
3. Temporarily fix the panel with a bolt to the second post.
4. Install all other bolts to the first post. If the level is checked and ok, fix the bolts properly
5. Glue the neoprene strips on the first panel near the second post. Position the strips to the one side of the inserts. (Only for panels in the same direction)
6. Install the second panel. Remove the bolt on the second post and put a cover plate in place. Fix with 2 bolts. Temporarily fix the second panel with a bolt to the third post
7. Install all other fixators to the second post
8. For the next posts and panels: repeat the steps as described above

It's required to finish the installation with U-profiles when flat Securifor is used, and it's also advised to add a fixation at the bottom.



2. Installation of Securifor with B-THRU posts

- **Installation with cover plates – panels beside each other:**

Remark

In some cases it can be harder to find the holes for the bolts when installing the cover plates. For ease of installation, it's allowed to use an 'secure' awl or screwdriver to slightly bow the wires of the panel, so the bolts can be mounted.

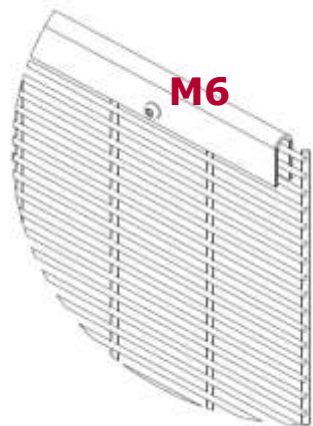


-
- **3. Options**
 - Extra security
 - Special cases

3. Options

■ Solutions for high security applications:

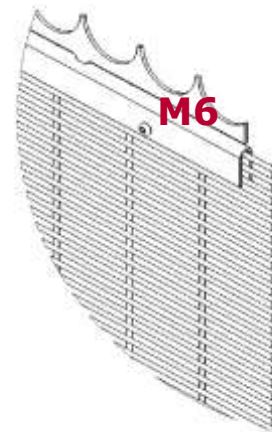
- To get a higher rigidity of the panel at the top
- Possible with dental strip, for security reasons



U-profile

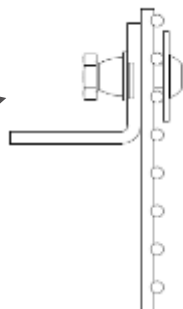
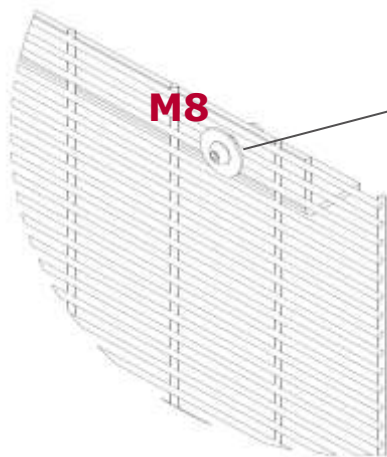
Fixed with bolts ISO 7380 M6x25, M6 washer and nut (all in SS)

(See also 1.7 on slide 10)



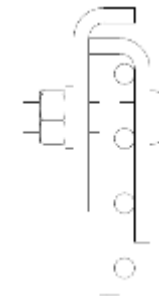
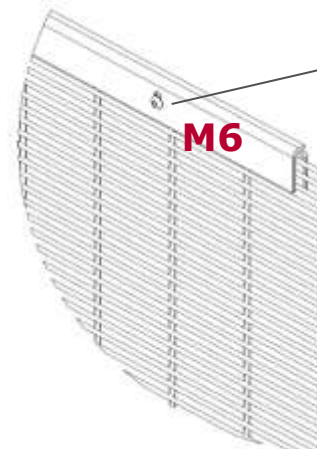
U-profile with dental strip

Fixed with bolts ISO 7380 M6x25, M6 washer and nut (all in SS)



L-profile

Fixed with bolts ISO 7380 M8x25, thick washer M8x30x1.5 (front), M8 washer DIN125 and self-breaking nut (all in SS)



2x L-profile

Fixed with bolts ISO 7380 M6x25, M6 washer and nut (all in SS)

3. Options

■ Solutions for high security applications:

- To get a higher rigidity of the panel at the bottom
- Fixation at the bottom, for security reasons

Solutions for a fixation at the bottom

1. H-piece with concrete plate



SEC49P004001

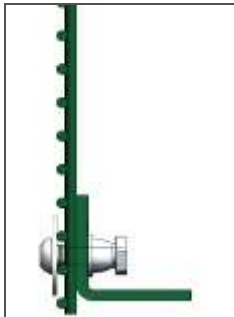


SEC49P005001

- A short H-profile that's sliding over a concrete plate and can be fixed to the Securifor panel
- If the panel and concrete plate are overlapping, a simplified folded piece can be used instead

(fixed with bolt M8x25 DIN603, washer and self-breaking nut M8)

2. L-profile screwed at the bottom



SEC49P001001



SEC49P006001

- An L-profile that's fixed to the bottom of the panel (L = 80x40x4x2200mm)
For extra security, this profile can also be fixed to a concrete foundation (L=80x40x4mm)
- A short L-profile 100x50x4mm can be used as alternative (fixed with bolts M8x25 DIN7380, large washer M8x30x1.5 at the front, washer and self-breaking nut M8 at the back)

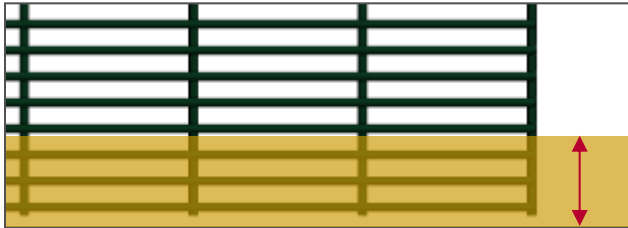
3. Options

■ Solutions for high security applications:

- To get a higher rigidity of the panel at the bottom
- Fixation at the bottom, for security reasons

Solutions for a fixation at the bottom

3. 3 bottom wires



- Or put the 3 bottom horizontal wires of the Securifor panel into the concrete or soil

4. Use Decofor wall fixators



DEC34A001001



SEC49P007001

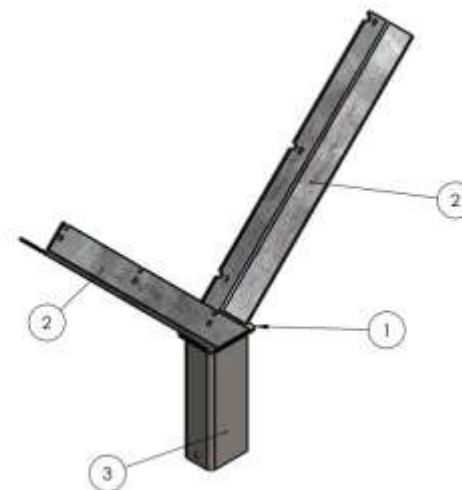
- Decofor wall fixators are standard parts that also can be used to fix the panel to the ground
In some cases, it's necessary to leave +/-5cm space between panel and ground. Adapted fixators with larger flanges are possible
(fixed with DIN 603 bolts M8x30, M8 washer and self-breaking nut, all in SS)
- For 2D panels, a bracket between 2 horizontal wires can be used (no fixation to the panel needed)

3. Options

- **Solutions for high security applications:**

- Extension arms

(posts have to be 100mm longer at the top)



80 x 60 x 2,5 mm

3. Options

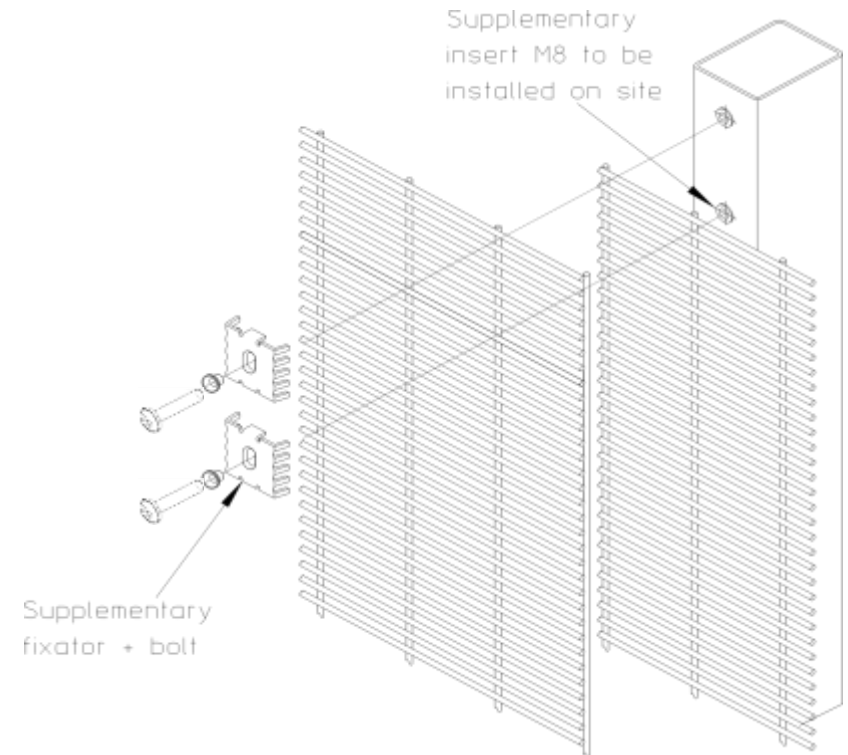
■ Special cases

— Shortening of panels

- If panels have to be shortened, for instance at the end of the fence-line or in the corners, this has to be done by complete meshes. This means by multiples of 76.2mm. The distance between two posts has to be reduced accordingly.

— Slopes

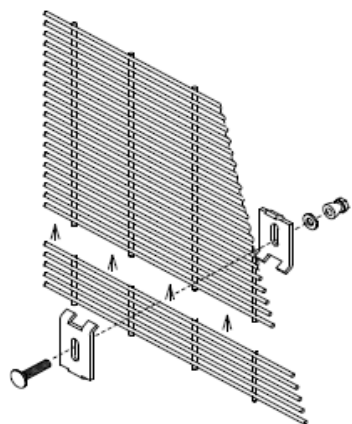
- In case of a slope, we recommend to check the different levels and to decide on the best position and stepping (and the number of steps) to be made.
- A step in height always has to be a multiple of 12.7mm. A step of 330.2mm in height is the maximum recommended.
- Once the stepping of the panel is determined, an insert M8 has to be installed at the correct position (to be done by the installer) to be able to install an extra fixator at that position.
- In case of a slope and with cover plates, longer cover plates have to be made (MTO) with extra holes.



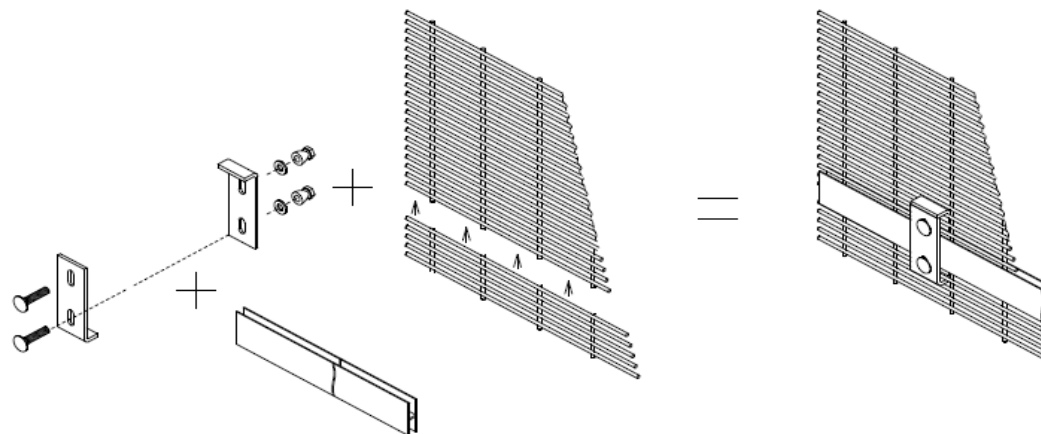
3. Options

■ Special cases

- Joining 2 panels in the vertical plane



OR



standard connection-
piece , galvanised
(and polyester-coated)
with mushroom head
square neck bolt, washer
and self-bracking nut
stainl.steel M8x30

Two identical connection-
pieces , galvanized and
polyestercoated with two
bolts , washers and self-
breaking nuts M8x35

OR

