



# **Securifor® & Rectangular Posts**

Installation Manual

# 0. Content

- **1. The components of the fencing system**
  - 1.1 posts
  - 1.2 spider fixators
  - 1.3 cover plates
  - 1.4 neoprene strips
  - 1.5 anchor systems
  - 1.6 the U-profile
  - 1.7 the Securifor panels
  - 1.8 posts with base plates
  
- **2. Installation of Securifor with rectangular posts**
  - General rules for the installation
  - Install foundations
  - Install post
  - Install panels / 3 ways of installation:
    - With spider fixators
      - Panel types / post drilling pattern
      - Positioning of post & panels
      - Steps of installation
    - With cover plates & panels in overlap
      - Panel types / post drilling pattern
      - Positioning of post & panels
      - Steps of installation
    - With cover plates & panels next to each other
      - Panel types / post drilling pattern
      - Positioning of post & panels
      - Steps of installation
  
- **3. Options**
  - Extra security
  - Special cases

---

## **1. The components of the fencing system**

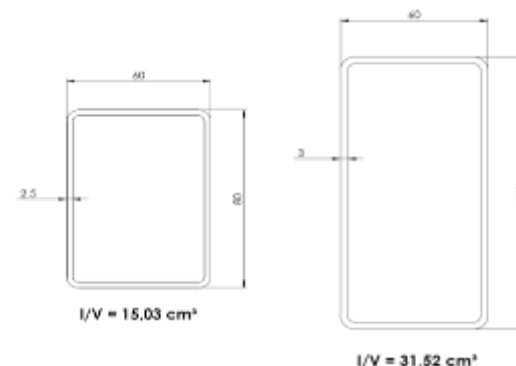
- 1.1 posts
- 1.2 spider fixators
- 1.3 cover plates
- 1.4 neoprene strips
- 1.5 anchor systems
- 1.6 the U-profile
- 1.7 the Securifor panels
- 1.8 posts with base plates

# 1. The components of the fencing system

## ■ 1.1 The posts:


Profiles:

- 80 x 60 x 2,5 mm
- 120 x 60 x 3 mm



→ The section of the post depends on the height of the fence, or can be made to special requirements of the customer

Types:

- Intermediate, end and corner posts
  - Posts are foreseen of the appropriate holes and inserts depending on the way of installation (see 3. way of installation)
  - Posts are covered with plastic caps
- 
- Posts are standard without base plate. Posts with base plates are available on request

# 1. The components of the fencing system

## ■ 1.2 The spider fixators:

Types of fixators:

- 58 x 55,8 x 15 mm
- 57,4 x 55,8 x 10 mm

Securifor 2D



SEC42P000003

Securifor  
Securifor 3D



SEC42P000004

→ Depending on the type of panel

(No fixator for Securifor Super 6 and Securifor 2D MX)

- Spider fixators are fixed with one-way cross recess button head screws M8x40 + PA6 washers M8



SEC40P002001

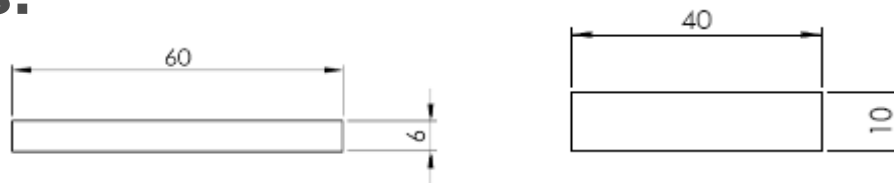


SEC40P001001

# 1. The components of the fencing system

## ■ 1.3 The cover plates:

- 60 x 6 mm
- 40 x 10 mm



- Hole pattern depending on the way of installation  
(see 3. way of installation)
- Height of the cover plates is similar to the panel height (2, 2.4 and 3m), except for 4 meter panels (2m + 2m)
- Cover plates are fixed with Mushroom Head Squareneck bolts M8 (DIN 603) with washer and self-breaking nut or with one-way cross recess button head screws M8x40 (or M6x40) and washer, all in stainless steel (type and length of the screw is also depending on the way of installation)



**SEC40P003001**



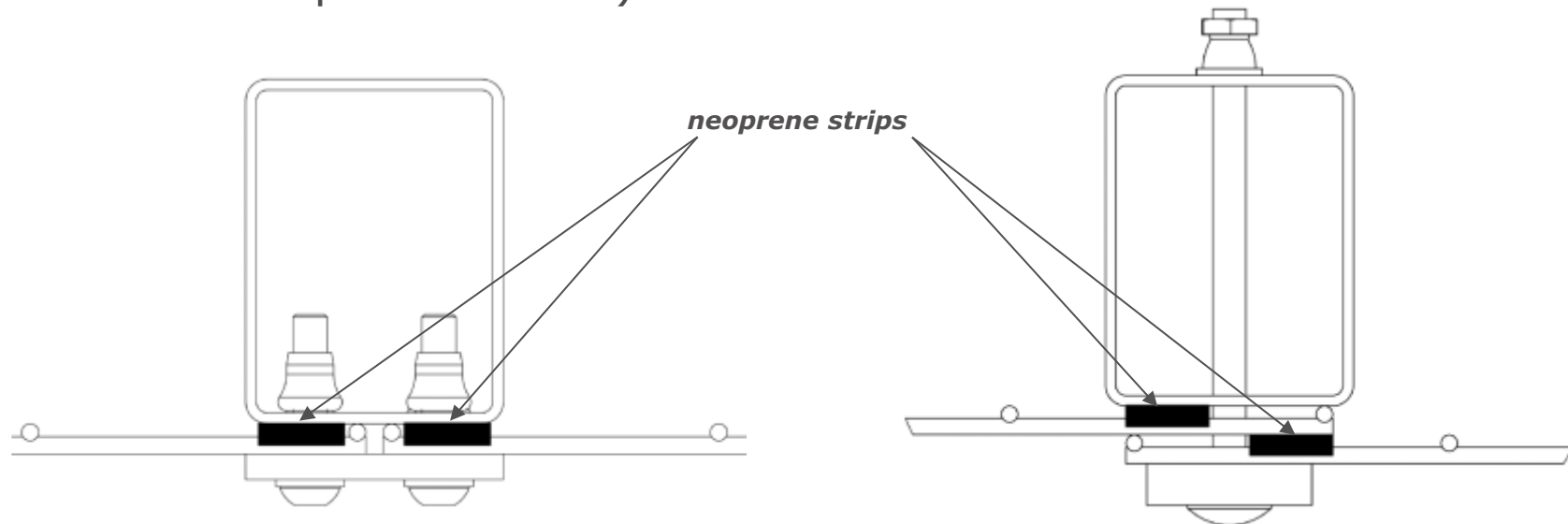
**SEC40P002001**



# 1. The components of the fencing system

## ■ 1.4 The neoprene strips:

- Self-adhesive strip 20 x 5 x 600 mm
- Strips are on the right length to fit between two inserts on a post
- Strips are placed as indicated in drawings below
- Used for sound reduction when panels are trembling and for flatness of installation
- Cover plates are standard installed with neoprene strips (they are not used with spider fixators)



# 1. The components of the fencing system

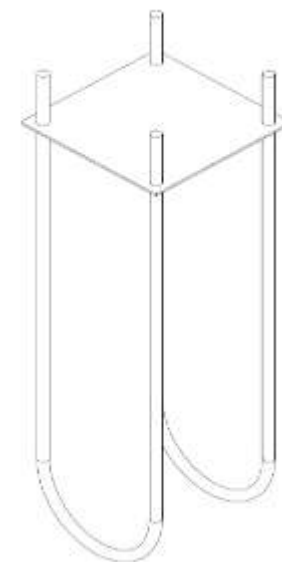
## ■ 1.5 The anchor systems:

- For posts with a welded base plate
- The foundation anchorage set is mainly used for MTO projects and is not common
- The anchor system makes it possible to level the posts with use of the threaded rods, nuts and washers. It also enhances the rigidity of the fencing system because of its installation in concrete
- Dimensions:
  - Depth 460 mm, plate 200 x 200 x 4 mm, M12
  - Depth 700 mm, plate 230 x 230 x 4 mm, M16
  - Depth 935 mm, plate 300 x 300 x 4 mm, M20
- As a standard solution, also mechanical or chemical anchor bolts can be used.  
Check the strength specifications on the packaging.

*SEC33A000001*

*SEC33A000002*

*SEC33A000003*



# 1. The components of the fencing system

## ■ 1.6 the U-profile:

- U dimension: 35 x 13 mm, thickness 2mm
- Length of U-profile is standard 2420mm



**SEC49P000006**

- U-profiles are used for the reinforcement of the upper side of the Securifor panels. As alternative, L-profiles can be used (only MTO)
- A general rule is that flat Securifor panels (SEC50P000XXX) should always be installed with U-profiles on top, regardless of the way of installation
- U-profiles are fixed with Hexagon Socket Button Head Screws M6x25 (ISO 7380), M6 washers and nuts, all in stainless steel



**ISO 7380**

# 1. The components of the fencing system

## ■ 1.7 The Securifor panels:

— Securifor



— Securifor 2D



— Securifor 2D Varimesh



— Securifor 2D MX



— Securifor Super 6

*no standard drawings available =  
always MTO*



— Securifor 3D



# 1. The components of the fencing system

## ■ 1.7 The Securifor panels:

Post profile (mm)**	Height fence (mm)	Height post (mm)	Number of holes *
80 x 60 x 2,50	2000	2600	7/9
80 x 60 x 2,50	2400	3100	8/10
80 x 60 x 2,50	3000	3700	9/11
120 x 60 x 3,00	4004	4800	12/16

\* Depending on the way of installation (see 3. way of installation)

\*\* The post profile can be adapted to specific requirements of the installation. The engineering department should be consulted for more information.

### STANDARD DIMENSIONS OF THE SECURIFOR PANELS

panel \ height	Securifor	Securifor 2D	Securifor 2D Varimesh	Securifor 3D	Securifor 2D MX	Securifor Super 6
finishing	PES / Zinalu super	PES	PES	PES	PES	Zinalu super
2000 mm	x	x		x	x	
2400 mm	x	x		x	x	
3000 mm	x	x	x	x	x	
4004 mm	x					

*Other dimensions are possible for major quantities on request.*

# 1. The components of the fencing system

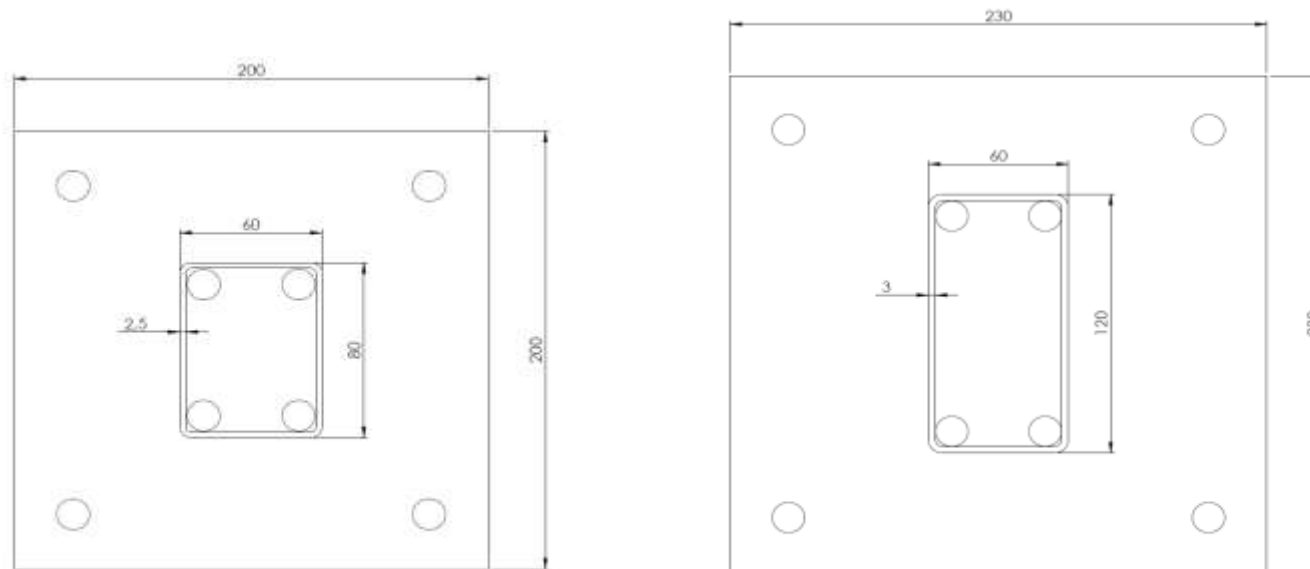
## ■ 1.8 Base plates:

### — Dimensions:

- For 80 x 60 x 2,5 mm post → 200 x 200 x 12 mm base plate
- For 120 x 60 x 3 mm post → 230 x 230 x 15 mm base plate

### — Rectangular posts with base plates are always MTO

### — Remark that the size and thickness of the base plate is important for stability and should be checked for each project



**SEC33P003XXX**

---

## ■ **2. Installation of Securifor with rectangular posts**

- General rules for the installation
- Install foundations
- Install post
- Install panels / 3 ways of installation:
  - With spider fixators
    - Panel types / post drilling pattern
    - Positioning of post & panels
    - Steps of installation
  - With cover plates & panels in overlap
    - Panel types / post drilling pattern
    - Positioning of post & panels
    - Steps of installation
  - With cover plates & panels next to each other
    - Panel types / post drilling pattern
    - Positioning of post & panels
    - Steps of installation

## 2. Installation of Securifor with rectangular posts

---

- **General rules:**

1. For the installation of flat Securifor, regardless of the way of installation, a U-profile on top is required.
2. For the installation of flat Securifor with spider fixators, also a fixation at the bottom is required. (see slide 50-51 for solutions for a fixation at the bottom)
3. For flat Securifor with cover plates, a fixation at the bottom is advised.
4. For the installation of Securifor 2D/3D panels no bottom fixation or U-profile on top is required, unless for security reasons.

## 2. Installation of Securifor with rectangular posts

### ■ Install foundations:

- Preparation of the site
  - To obtain the best results, it is recommended to clear (remove trees, branches, rocks, stones...) and level the area of the fence line over its full length
- Foundation dimensions:

<b>Height fence (m)</b>	<b>Post section (mm)</b>	<b>Post length (m)</b>	<b>Foundation dimensions (cm)</b>
<b>2m00</b>	<b>80 x 60 x 2,5</b>	<b>2m60</b>	<b>45 x 45 x 90</b>
<b>2m40</b>	<b>80 x 60 x 2,5</b>	<b>3m10</b>	<b>45 x 45 x 90</b>
<b>3m00</b>	<b>80 x 60 x 2,5</b>	<b>3m70</b>	<b>45 x 45 x 90</b>
<b>4m00</b>	<b>120 x 60 x 3</b>	<b>4m80</b>	<b>60 x 60 x 90</b>

- Foundation dimensions are for normal European situations. You are advised to consult a specialist structural engineer to evaluate extraordinary wind load, local ground condition or any other special requirements. The dimensions of the foundation (concrete quality B30 is recommended) are related to the chosen height of the fence and/or the post.
- When posts are installed directly into concrete, the long posts need to be supported during curing of the concrete for as long as necessary.

## 2. Installation of Securifor with rectangular posts

### ■ Install foundations:

- Tension a wire over the complete length of the installation, to make sure the posts are installed in a straight line
- Measure the distance between the holes, for the correct interdistance see page 19
- Dig a hole with the right depth (average 900mm)



## 2. Installation of Securifor with rectangular posts

### ■ Install posts:

- Lift up the post and bring into the foundation hole
- Position the posts at the correct distance. If possible, use a wooden template to have a perfect installation
- Level the post so that you obtain a correct horizontal line of the fence (fix a bolt in every post to hold the template)
- A laser can also be used to determine the correct height of the posts



## 2. Installation of Securifor with rectangular posts

- **Install posts:**
  - Level the post vertically
  - Fill up the foundation hole with concrete

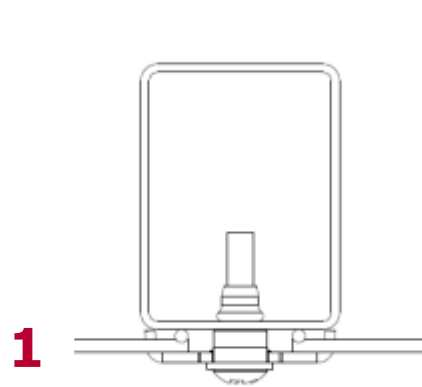


## 2. Installation of Securifor with rectangular posts

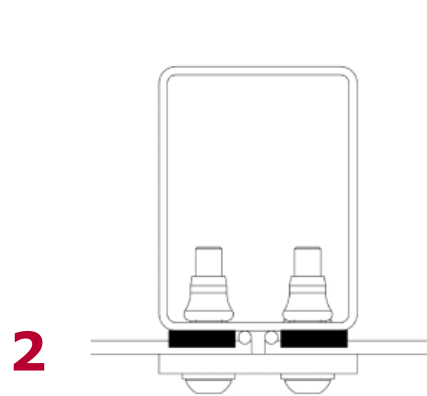
### ■ Install panels:

#### 3 ways of installation

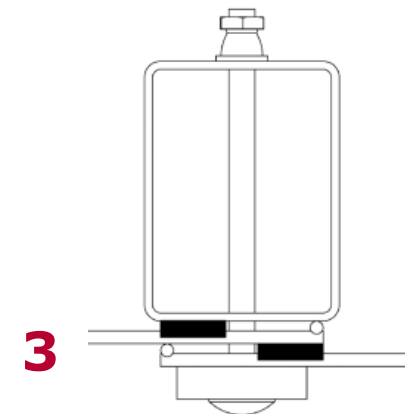
1. Installation with spider fixators = standard
2. Installation with cover plates – panels next to each other = MTO
3. Installation with cover plates – panels in overlap = MTO  
(2 possibilities: panels in same direction – panels alternately rotated 180°)



post interdistance  
**2550 mm**  
**(+8/-8)**



post interdistance  
**2520 mm**  
**(+1/-1)**

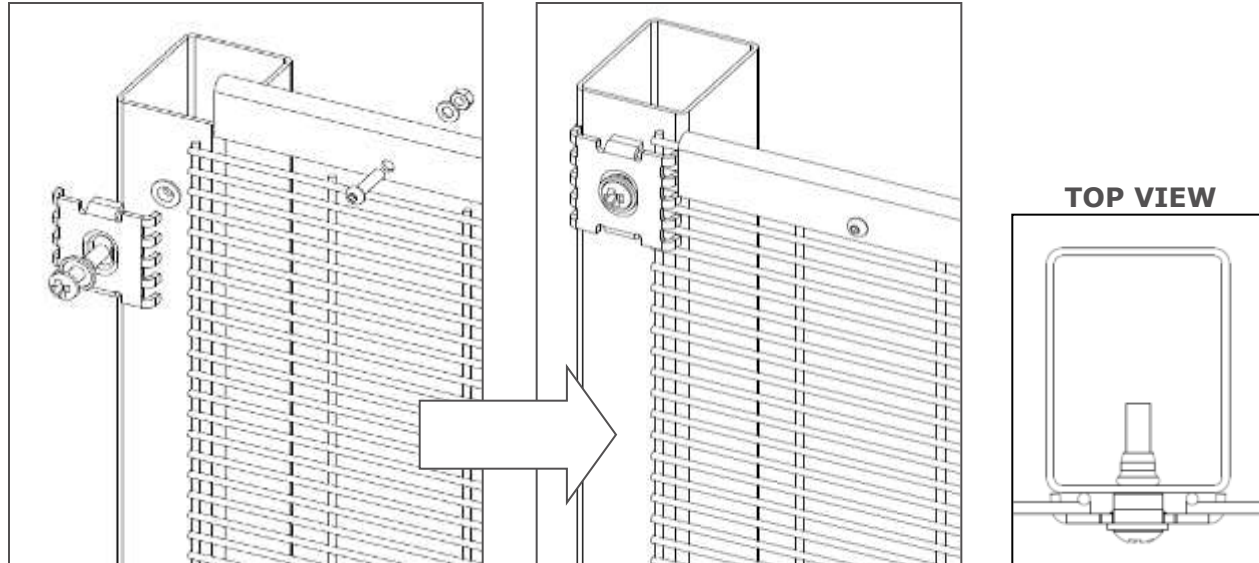


post interdistance  
**2485 mm**  
**(+13/-13)**

## 2. Installation of Securifor with rectangular posts

### ■ Installation with spider fixators:

SEC00A003XXX



#### — Types of panels to be installed:

- Securifor 3D
  - Securifor
- } fixator SEC42P000003

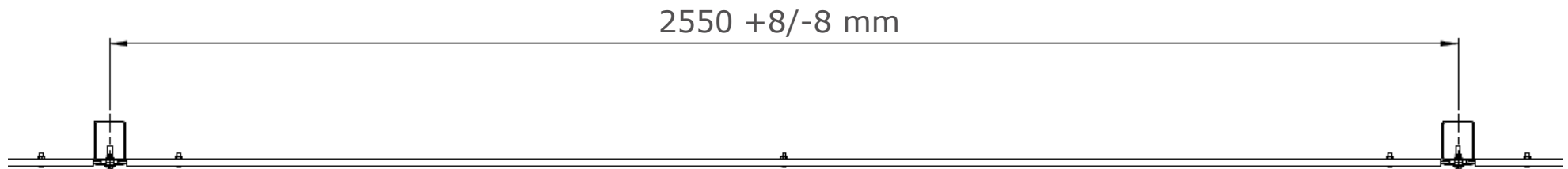
**flat Securifor with spider fixators always with U-profile on top + fixation at the bottom!**

- Securifor 2D
  - Securifor 2D Varimesh
- } fixator SEC42P000004

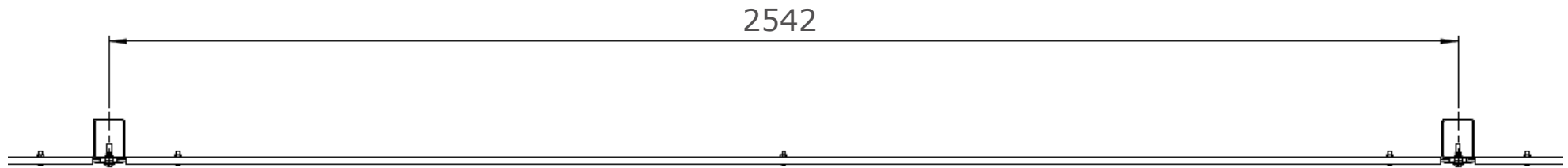
SEC31P003XXX

## 2. Installation of Securifor with rectangular posts

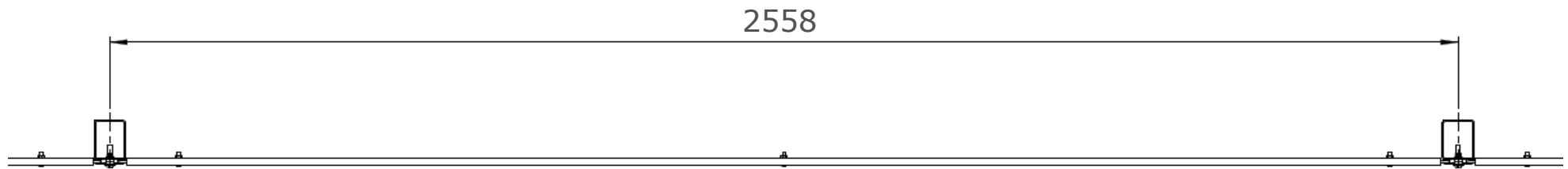
- **Installation with spider fixators:**
  - Positioning of the intermediate posts:



**AVERAGE**



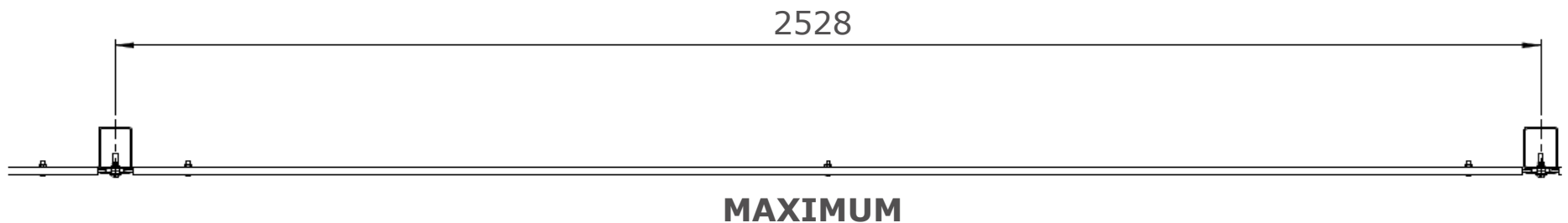
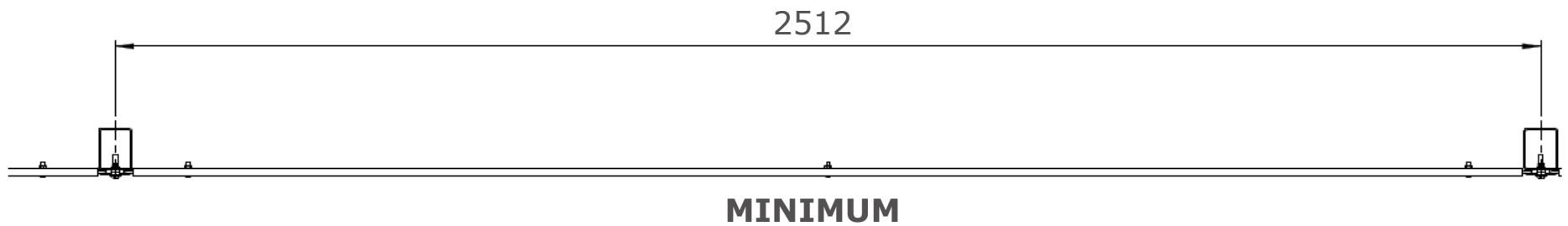
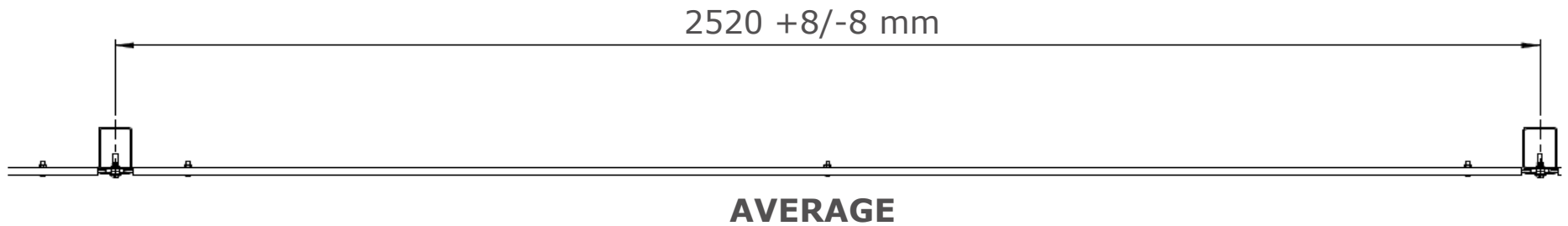
**MINIMUM**



**MAXIMUM**

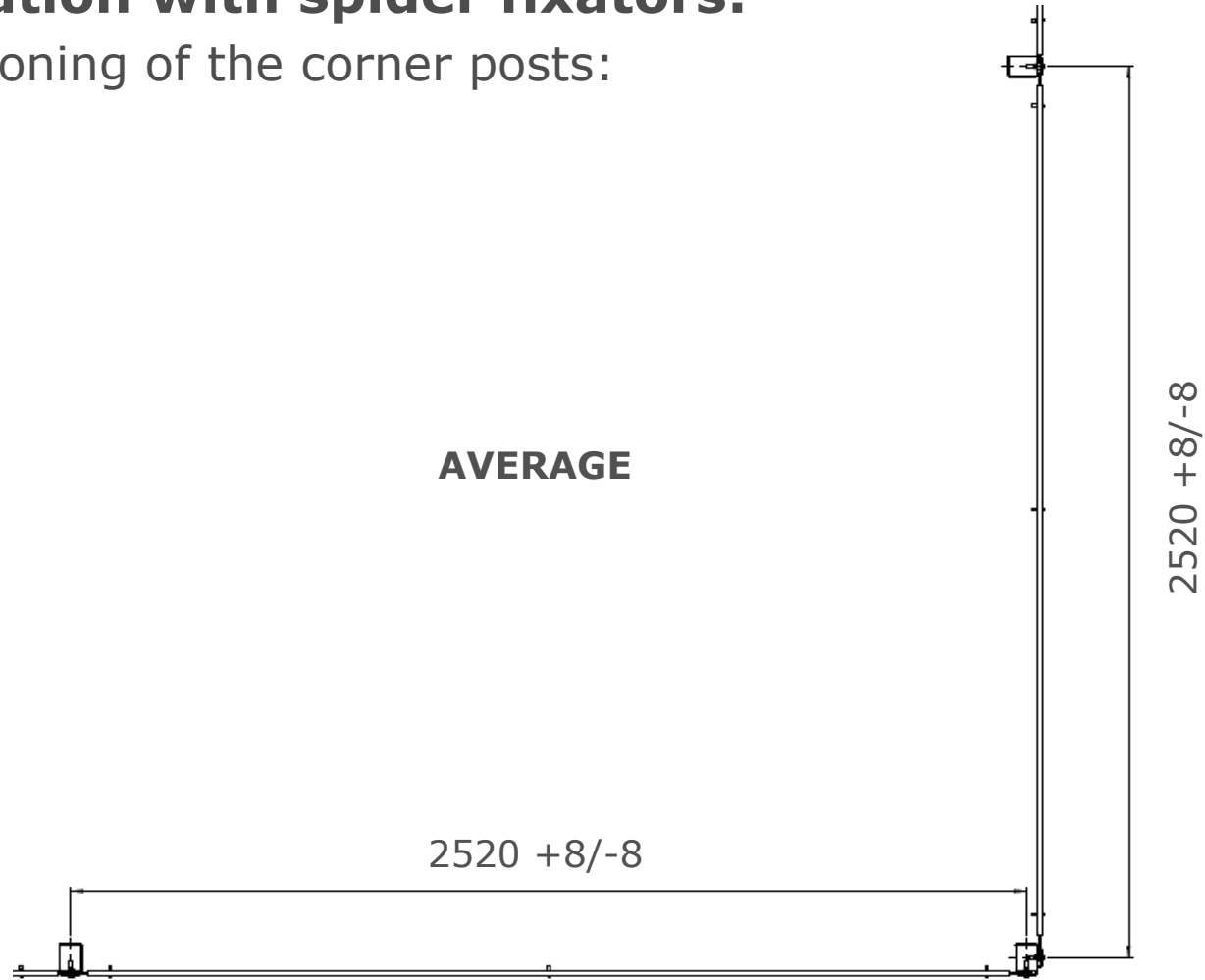
## 2. Installation of Securifor with rectangular posts

- **Installation with spider fixators:**
  - Positioning of the end posts:



## 2. Installation of Securifor with rectangular posts

- **Installation with spider fixators:**
  - Positioning of the corner posts:



## 2. Installation of Securifor with rectangular posts

- Installation with spider fixators:



## 2. Installation of Securifor with rectangular posts

### ■ Installation with spider fixators:

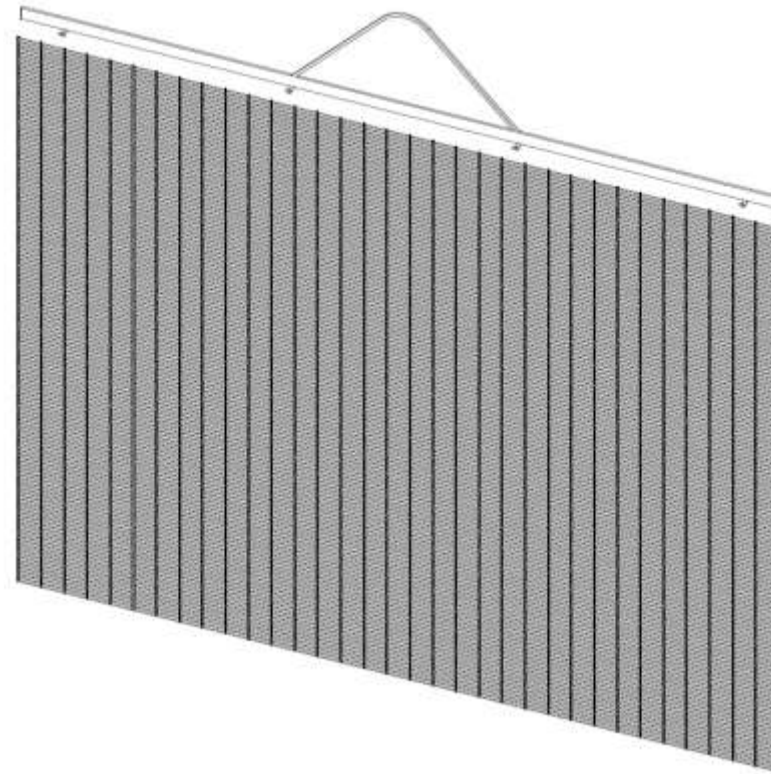
#### Install the panels

##### 1. Lift up the panel

Lifting the panel can be done by hand for the lower range or by using a crane for bigger heights.

**Make sure the panel is lifted on multiple points** so it can not fold in the middle.

Preferably use a triangle shaped slat to take up the panel in a flat way.



## 2. Installation of Securifor with rectangular posts

### ■ Installation with spider fixators:

#### Install the panels

1. Hang the first panel and install 2 fixators on the first post (top & bottom)
2. Install 2 fixators on the second post. Make sure you leave +/-1cm distance between the fixator and the post, so a second panel can be added afterwards
3. Install all other fixators on the first post. If the level is checked and ok, fix the bolts properly
4. Install the second panel. Screw the 2 fixators on the second post and fix 2 fixators on the third post (top & bottom) with +/-1cm opening
5. Install all fixators to the second post
6. For the next posts and panels: repeat the steps as described above

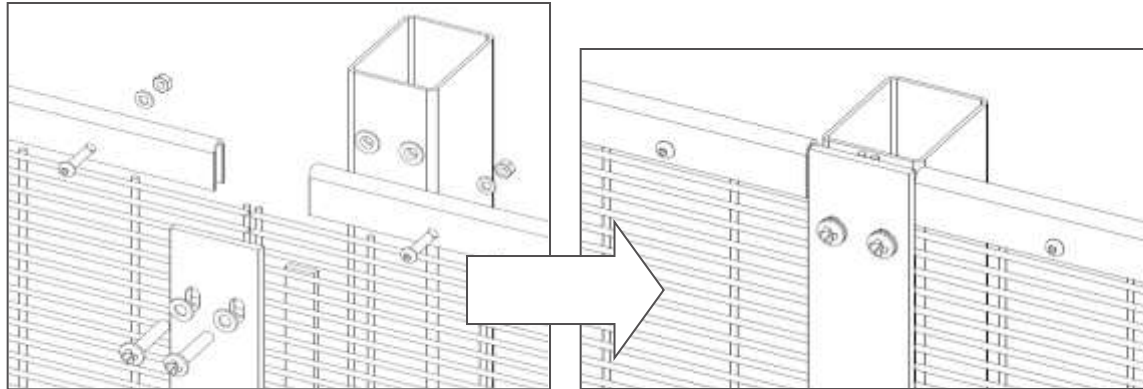
**It's required to finish the installation with U-profiles when flat Securifor is used. For installation of flat Securifor with spider fixators, it's also required to add a fixation at the bottom! (See page 50-51 for possible solutions)**



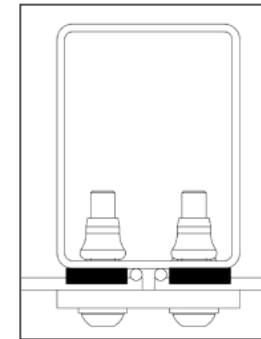
## 2. Installation of Securifor with rectangular posts

- **Installation with cover plates – panels next to each other:**

SEC00A005XXX



TOP VIEW



POST  
DRILLING  
PATTERN

300-360

SEC31P005XXX

SEC31P006XXX

- Types of panels to be installed:
  - Securifor → **flat Securifor always with U-profile on top!**
  - Securifor 2D MX
  - Securifor Super 6
  - Securifor 2D (without neoprene)
- Standard installation with neoprene strips
- Standard installation with cover plate screwed at one side of the post with bolts ISO 7380 M8x40, washer and insert M8 into the post. If necessary, bolts can also be mounted through the post.

## 2. Installation of Securifor with rectangular posts

- **Installation with cover plates – panels next to each other:**

### Alternative fixation with M6 bolts

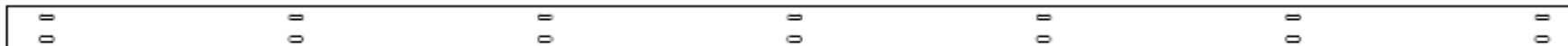
In some cases, it is preferred to use M6 bolts for ease of installation. The cover plate will then be foreseen of a double row of sleeve holes, so more bolts can be fixed.

#### **M8 – alternating holes**



*SEC31P005XXX*

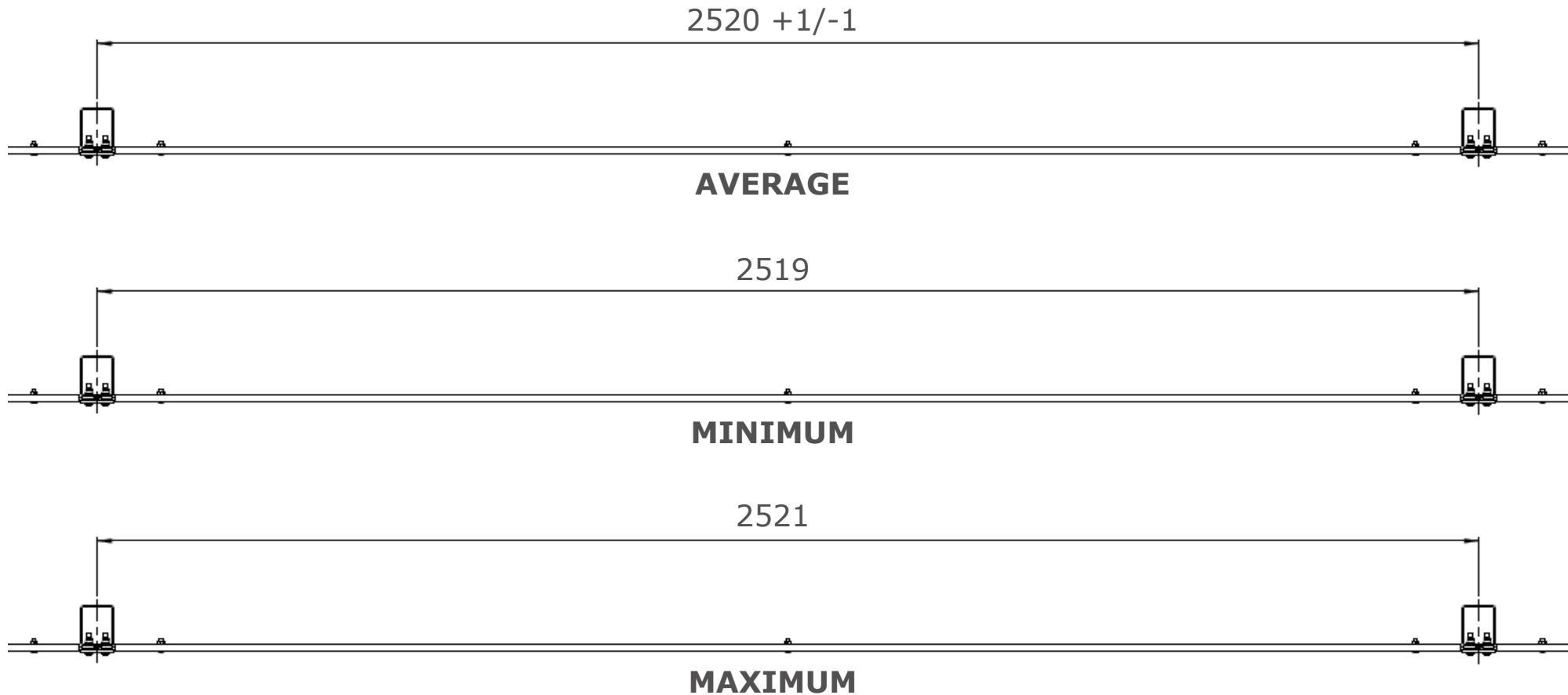
#### **M6 – double row of holes**



*SEC31P009XXX*

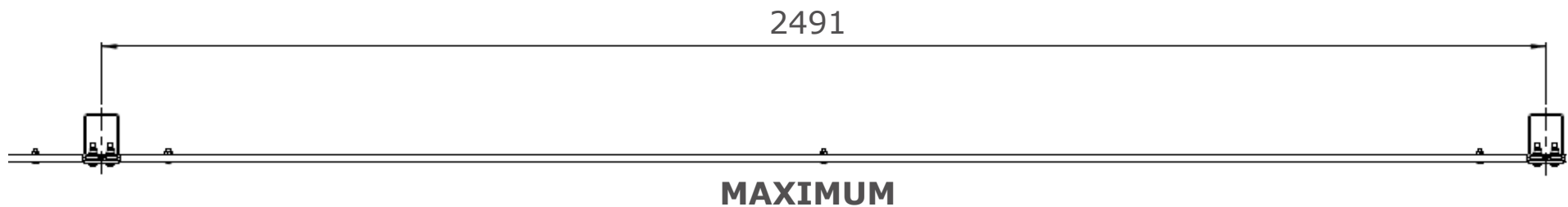
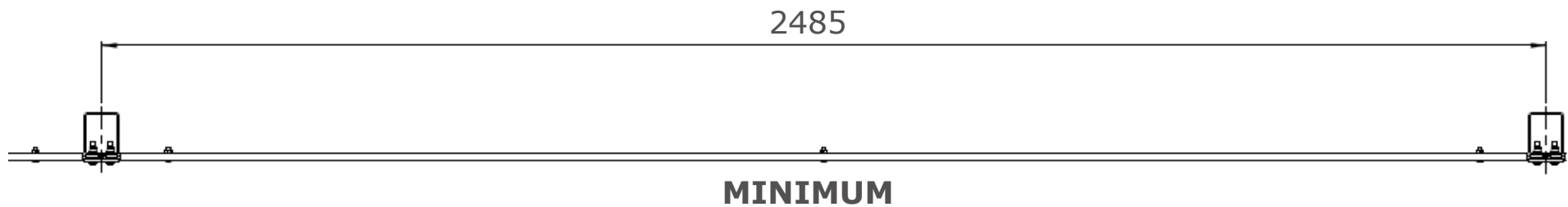
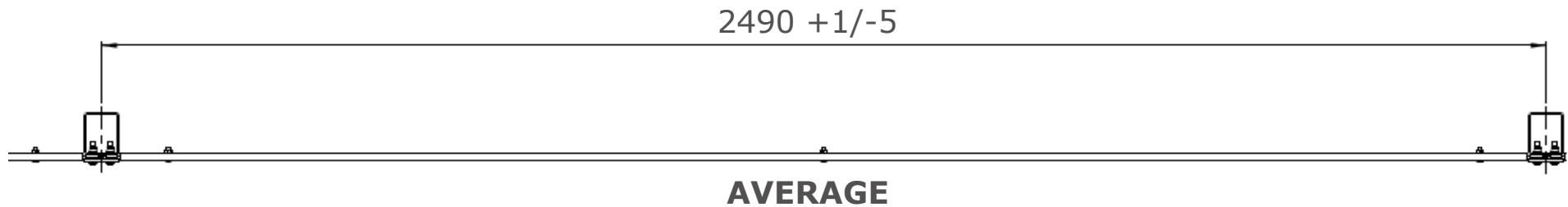
## 2. Installation of Securifor with rectangular posts

- **Installation with cover plates – panels next to each other:**
  - Positioning of the intermediate posts:



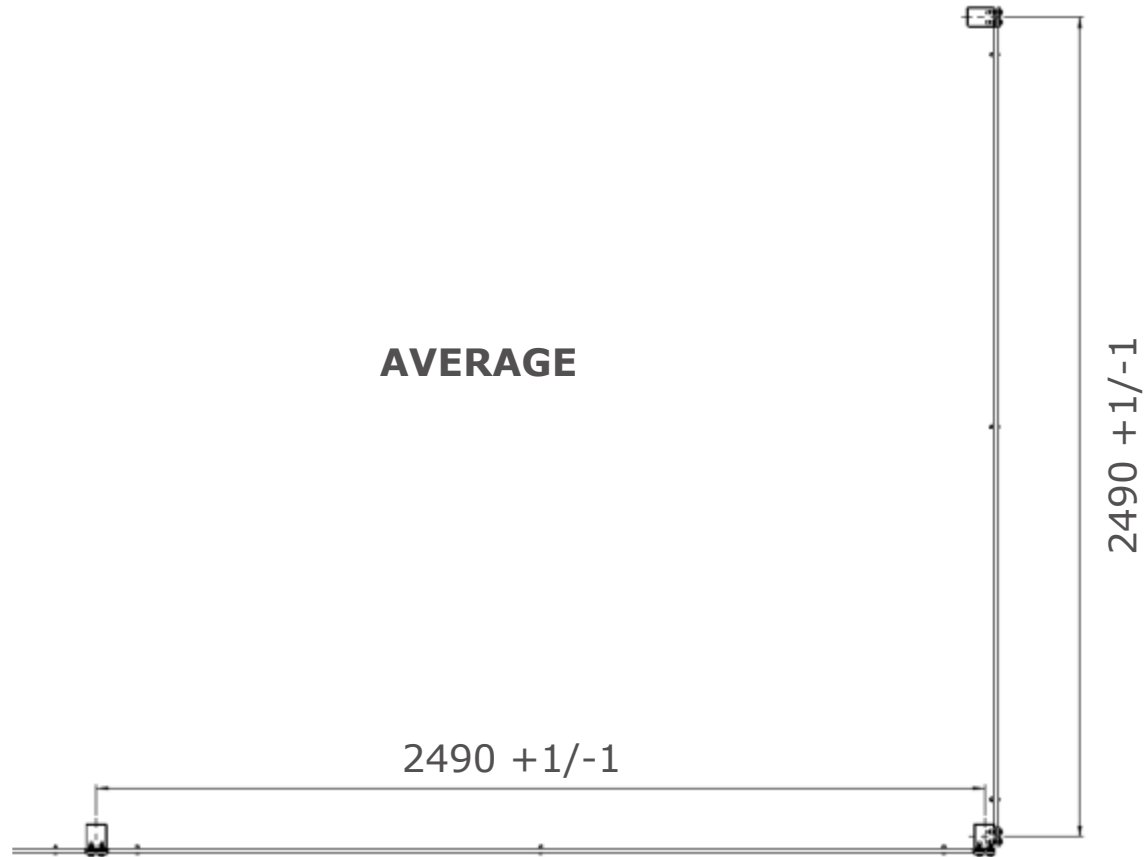
## 2. Installation of Securifor with rectangular posts

- **Installation with cover plates – panels next to each other:**
  - Positioning of the end posts:



## 2. Installation of Securifor with rectangular posts

- **Installation with cover plates – panels next to each other:**
  - Positioning of the corner posts:



## 2. Installation of Securifor with rectangular posts

- Installation with cover plates – panels next to each other:



## 2. Installation of Securifor with rectangular posts

### ■ Installation with cover plates – panels next to each other:

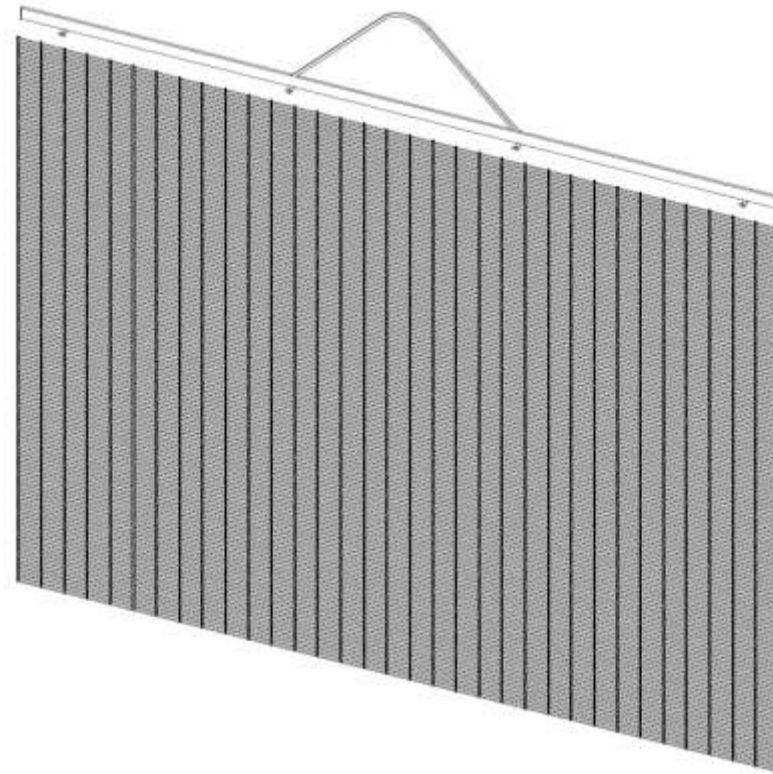
#### Install the panels

#### 1. Lift up the panel

Lifting the panel can be done by hand for the lower range or by using a crane for bigger heights.

**Make sure the panel is lifted on multiple points** so it can not fold in the middle.

Preferably use a triangle shaped slat to take up the panel in a flat way.



## 2. Installation of Securifor with rectangular posts

### ■ Installation with cover plates – panels next to each other:

#### Install the panels

1. First glue the neoprene strips between the inserts on the front side of the posts
2. Hang the first panel and install a cover plate on the first post with 2 bolts (top & bottom)
3. Temporarily fix the panel with a bolt to the second post.
4. Install all other bolts on the first post. If the level is checked and ok, fix the bolts properly
5. Install the second panel. Remove the bolt on the second post and put a cover plate in place. Fix with 2 bolts. Temporarily fix a bolt to the third post
6. Install all bolts to the second post
7. For the next posts and panels: repeat the steps as described above

**It's required to finish the installation with U-profiles when flat Securifor is used, and it's also advised to add a fixation at the bottom. (see page 50-51 for possible solutions)**



## 2. Installation of Securifor with rectangular posts

- **Installation with cover plates – panels next to each other:**

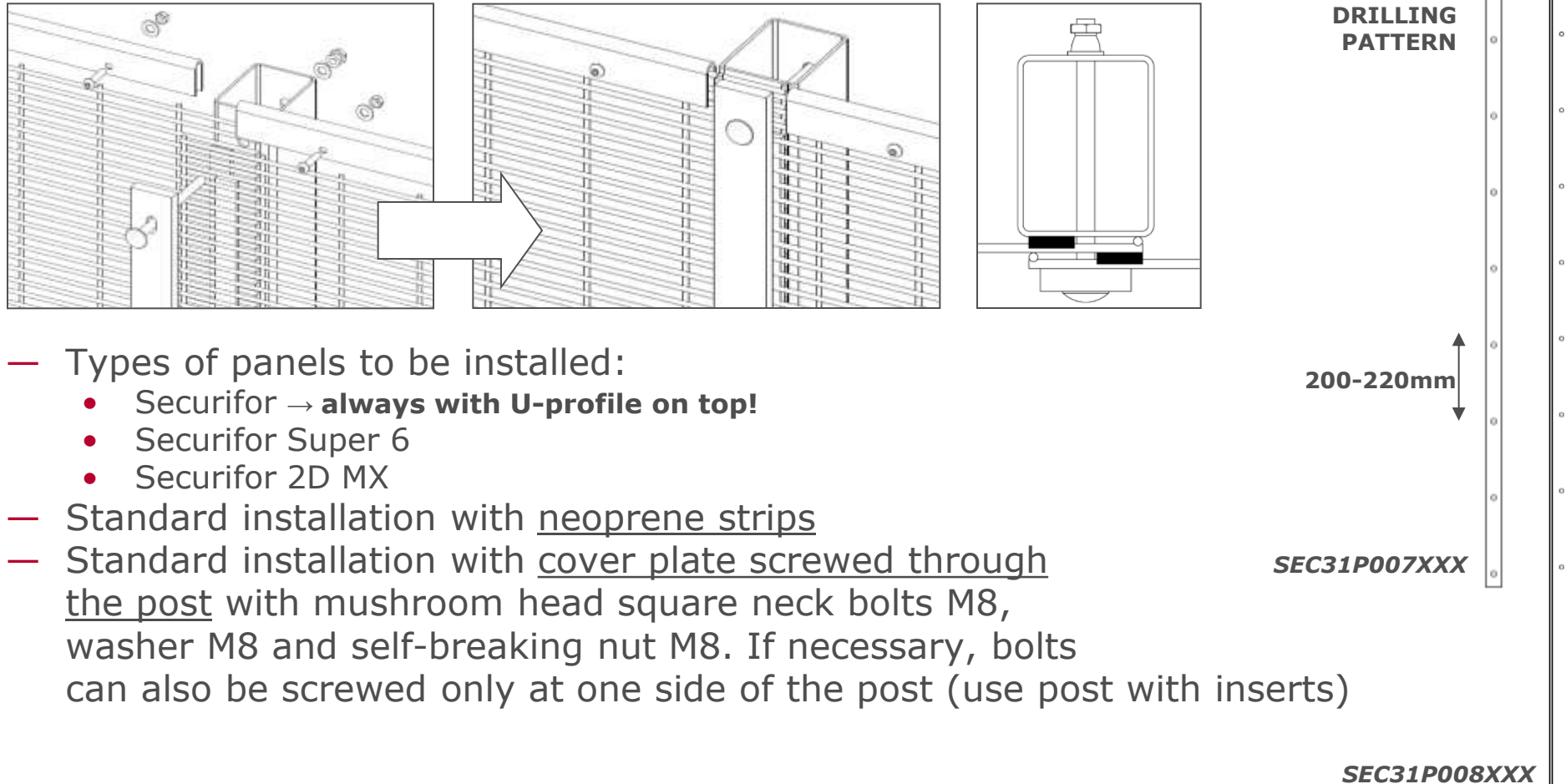
### Remark

In some cases it can be harder to find the holes for the bolts when installing the cover plates. For ease of installation, it's allowed to use a 'secure' awl or screwdriver to slightly bow the wires of the panel, so the bolts can be mounted.



## 2. Installation of Securifor with rectangular posts

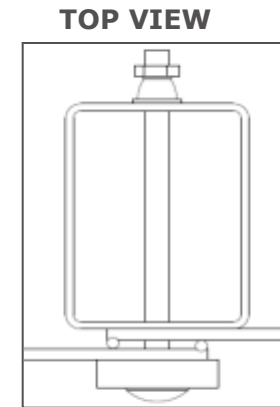
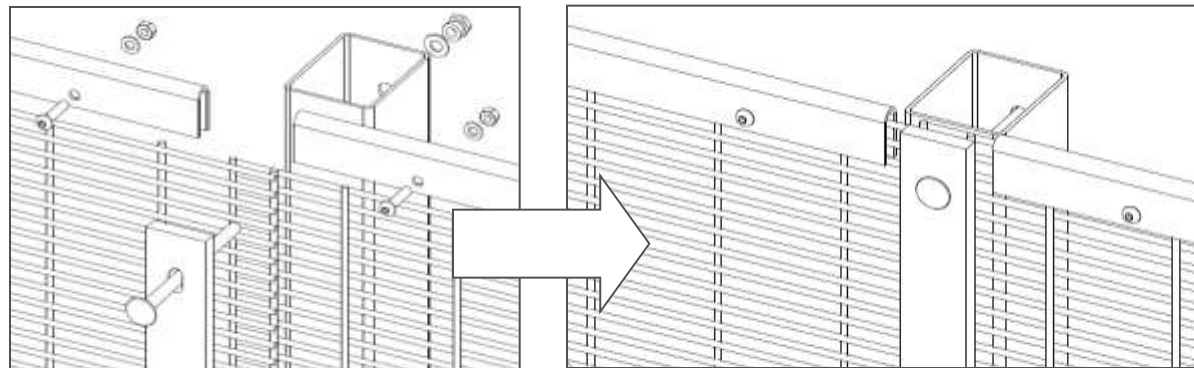
- Installation with cover plates – panels in overlap & in same direction:



- Types of panels to be installed:
  - Securifor → **always with U-profile on top!**
  - Securifor Super 6
  - Securifor 2D MX
- Standard installation with neoprene strips
- Standard installation with cover plate screwed through the post with mushroom head square neck bolts M8, washer M8 and self-breaking nut M8. If necessary, bolts can also be screwed only at one side of the post (use post with inserts)

## 2. Installation of Securifor with rectangular posts

- Installation with cover plates – panels in overlap & in opposite direction:



POST  
DRILLING  
PATTERN

200-220mm

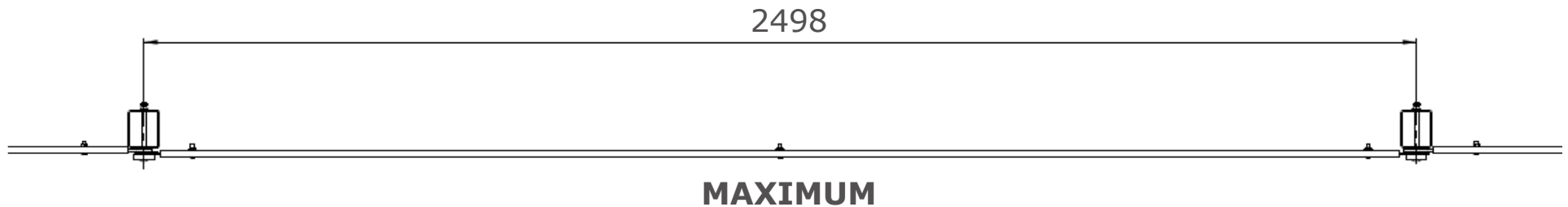
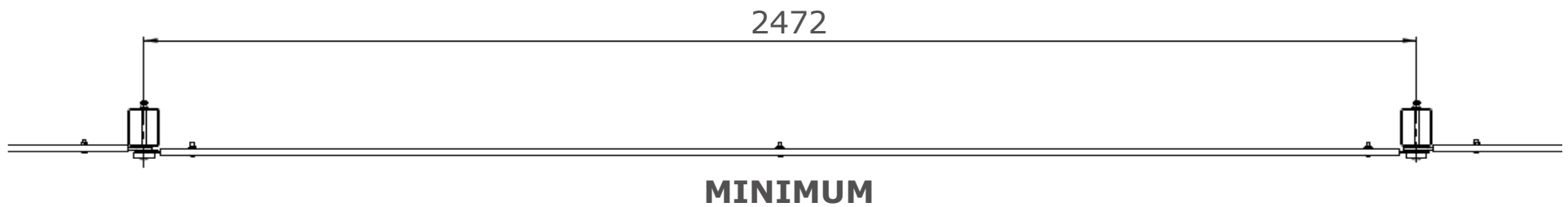
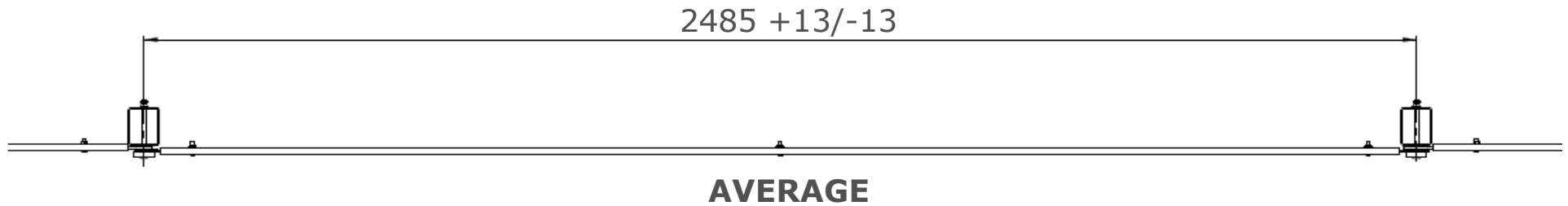
SEC31P007XXX

SEC31P008XXX

- Types of panels to be installed:
  - Securifor → **always with U-profile on top!**
  - Securifor 2D MX
  - Securifor Super 6
- Standard installation with cover plate screwed through the post with mushroom head square neck bolts M8, washer M8 and self-breaking nut M8. If necessary, bolts can also be screwed only at one side of the post

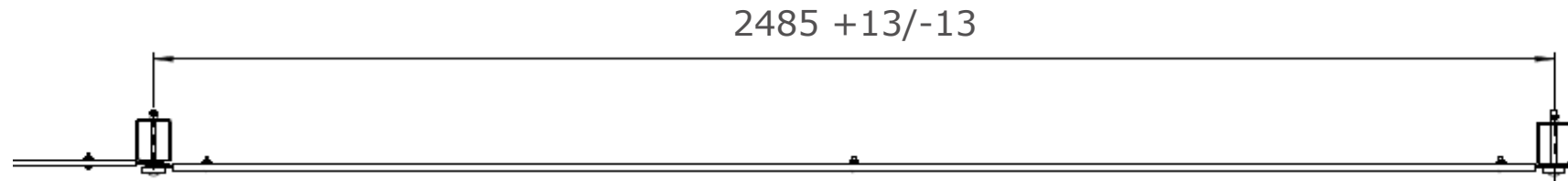
## 2. Installation of Securifor with rectangular posts

- **Installation with cover plates – panels in overlap:**
  - Positioning of the intermediate posts:

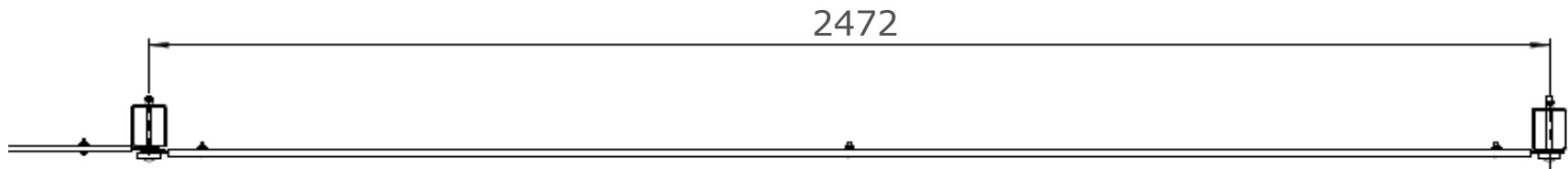


## 2. Installation of Securifor with rectangular posts

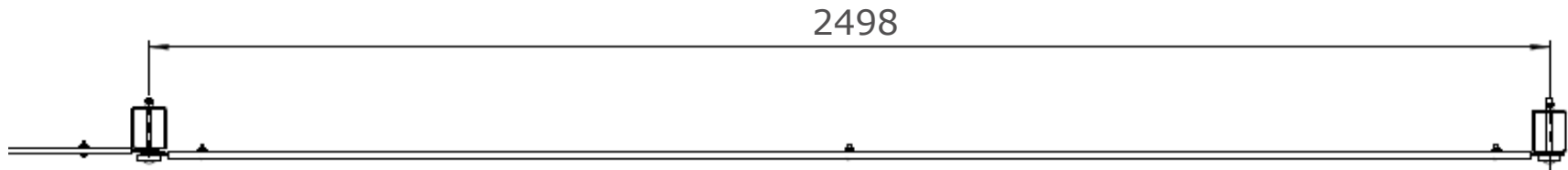
- **Installation with cover plates – panels in overlap:**
  - Positioning of the end posts:



**AVERAGE**



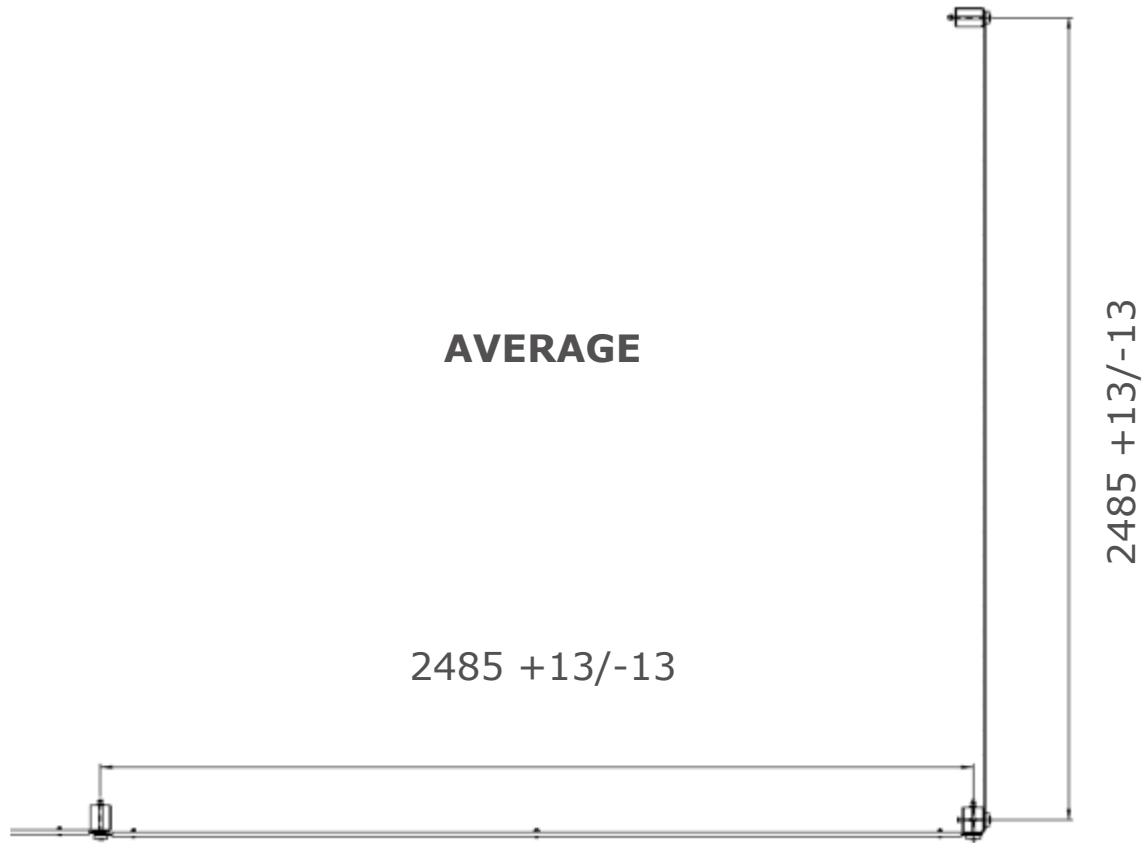
**MINIMUM**



**MAXIMUM**

## 2. Installation of Securifor with rectangular posts

- **Installation with cover plates – panels in overlap:**
  - Positioning of the corner posts:



## 2. Installation of Securifor with rectangular posts

- Installation with cover plates – panels in overlap:



## 2. Installation of Securifor with rectangular posts

### ■ Installation with cover plates – panels in overlap:

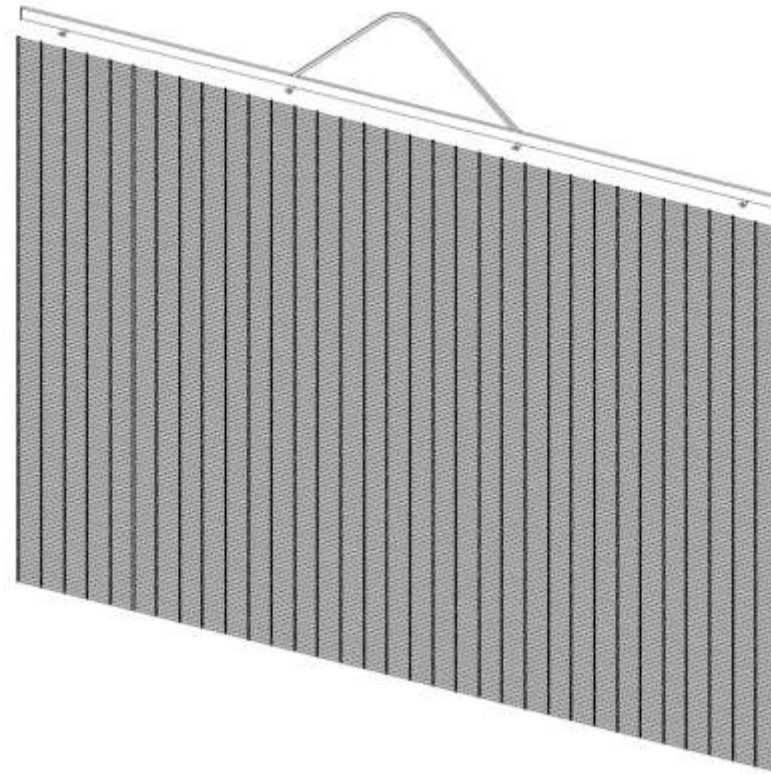
#### Install the panels

#### 1. Lift up the panel

Lifting the panel can be done by hand for the lower range or by using a crane for bigger heights.

**Make sure the panel is lifted on multiple points** so it can not fold in the middle.

Preferably use a triangle shaped slat to take up the panel in a flat way.



## 2. Installation of Securifor with rectangular posts

### ■ Installation with cover plates – panels in overlap:

#### Install the panels

1. First glue the neoprene strips on 1 side of the inserts. (Only for panels in the same direction)
2. Hang the first panel and install a cover plate on the first post with 2 bolts (top & bottom)
3. Temporarily fix the panel with a bolt to the second post.
4. Install all other bolts to the first post. If the level is checked and ok, fix the bolts properly
5. Glue the neoprene strips on the first panel near the second post. Position the strips to the one side of the inserts. (Only for panels in the same direction)
6. Install the second panel. Remove the bolt on the second post and put a cover plate in place. Fix with 2 bolts. Temporarily fix the second panel with a bolt to the third post
7. Install all other fixators to the second post
8. For the next posts and panels: repeat the steps as described above

**It's required to finish the installation with U-profiles when flat Securifor is used, and it's also advised to add a fixation at the bottom. (see page 50-51 for possible solutions)**



## 2. Installation of Securifor with rectangular posts

- **Installation with cover plates – panels beside each other:**

### Remark

In some cases it can be harder to find the holes for the bolts when installing the cover plates. For ease of installation, it's allowed to use an 'secure' awl or screwdriver to slightly bow the wires of the panel, so the bolts can be mounted.

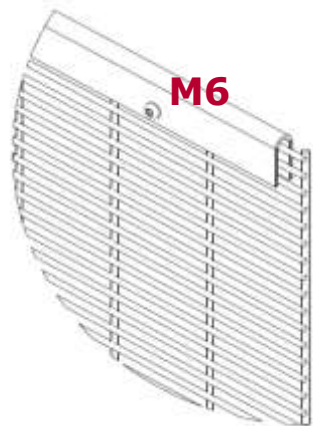


- 
- **3. Options**
    - Extra security
    - Special cases

# 3. Options

## ■ Solutions for high security applications:

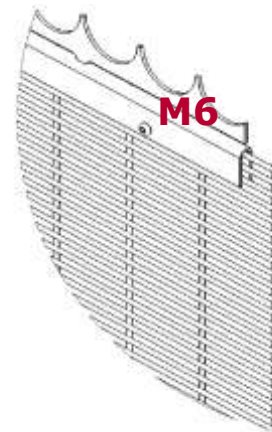
- To get a higher rigidity of the panel at the top
- Possible with dental strip, for security reasons



### U-profile

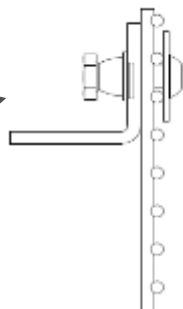
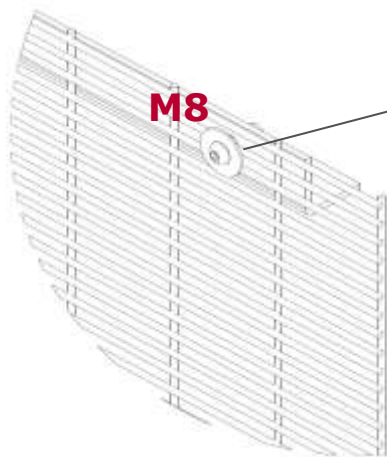
Fixed with bolts ISO 7380 M6x25, M6 washer and nut (all in SS)

(See also 1.7 on slide 10)



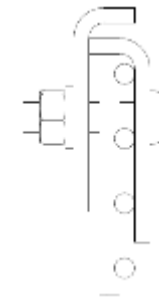
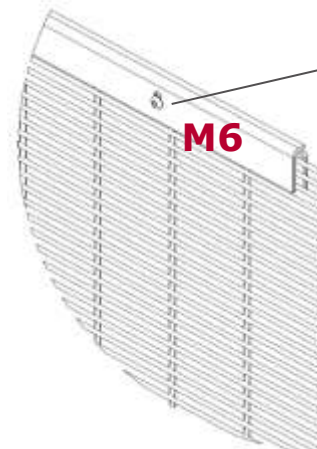
### U-profile with dental strip

Fixed with bolts ISO 7380 M6x25, M6 washer and nut (all in SS)



### L-profile

Fixed with bolts ISO 7380 M8x25, thick washer M8x30x1.5 (front), M8 washer DIN125 and self-breaking nut (all in SS)



### 2x L-profile

Fixed with bolts ISO 7380 M6x25, M6 washer and nut (all in SS)

# 3. Options

## ■ Solutions for high security applications:

- To get a higher rigidity of the panel at the bottom
- Fixation at the bottom, for security reasons

### Solutions for a fixation at the bottom

#### 1. H-piece with concrete plate



**SEC49P004001**

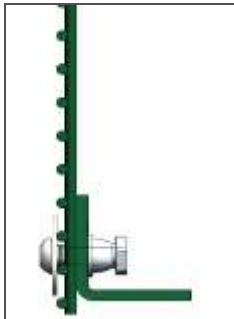


**SEC49P005001**

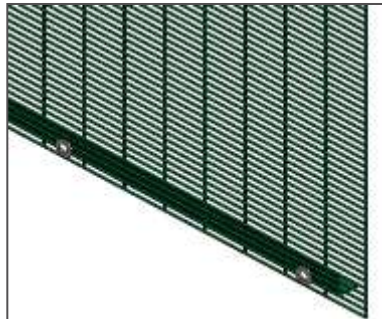
- A short H-profile that's sliding over a concrete plate and can be fixed to the Securifor panel
- If the panel and concrete plate are overlapping, a simplified folded piece can be used instead

(fixed with bolt M8x25 DIN603, washer and self-breaking nut M8)

#### 2. L-profile screwed at the bottom



**SEC49P001001**



**SEC49P006001**

- An L-profile that's fixed to the bottom of the panel (L = 40x40x4mm)  
For extra security, this profile can also be fixed to a concrete foundation (L=80x40x4mm)
- A short L-profile 100x50x4mm can be used as alternative  
(fixed with bolts M8x25 DIN7380, large washer M8x30x1.5 at the front, washer and self-breaking nut M8 at the back)

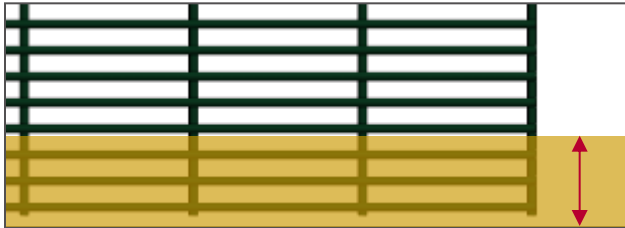
# 3. Options

## ■ Solutions for high security applications:

- To get a higher rigidity of the panel at the bottom
- Fixation at the bottom, for security reasons

### Solutions for a fixation at the bottom

#### 3. 3 bottom wires



- Or put the 3 bottom horizontal wires of the Securifor panel into the concrete or soil

#### 4. Use Decofor wall fixators



**DEC34A001001**



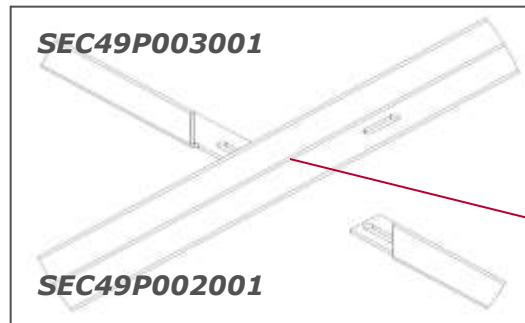
**SEC49P007001**

- Decofor wall fixators are standard parts that also can be used to fix the panel to the ground  
In some cases, it's necessary to leave +/-5cm space between panel and ground. Adapted fixators with larger flanges are possible  
(fixed with DIN 603 bolts M8x30, M8 washer and self-breaking nut, all in SS)
- For 2D panels, a bracket between 2 horizontal wires can be used (no fixation to the panel needed)

# 3. Options

## ■ Solutions for high security applications:

- Crossing bars



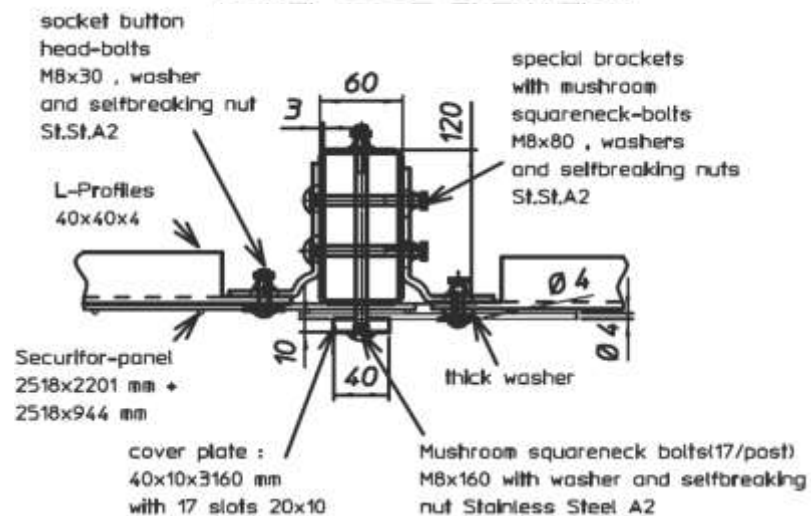
→ fixed to the panel with socket button head bolts M8x30, washer and self-breaking nut (all in SS)



**SEC42P001001**

→ special brackets for the fixation of the crossing L-profiles

→ fix with mushroom squareneck bolts M8x80, washers and self-breaking nuts (all in SS)

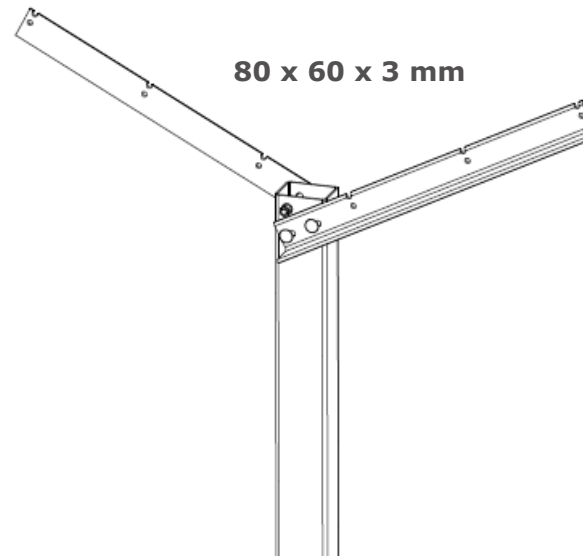


## 3. Options

- **Solutions for high security applications:**

- Extension arms

(posts have to be 100mm longer at the top)



# 3. Options

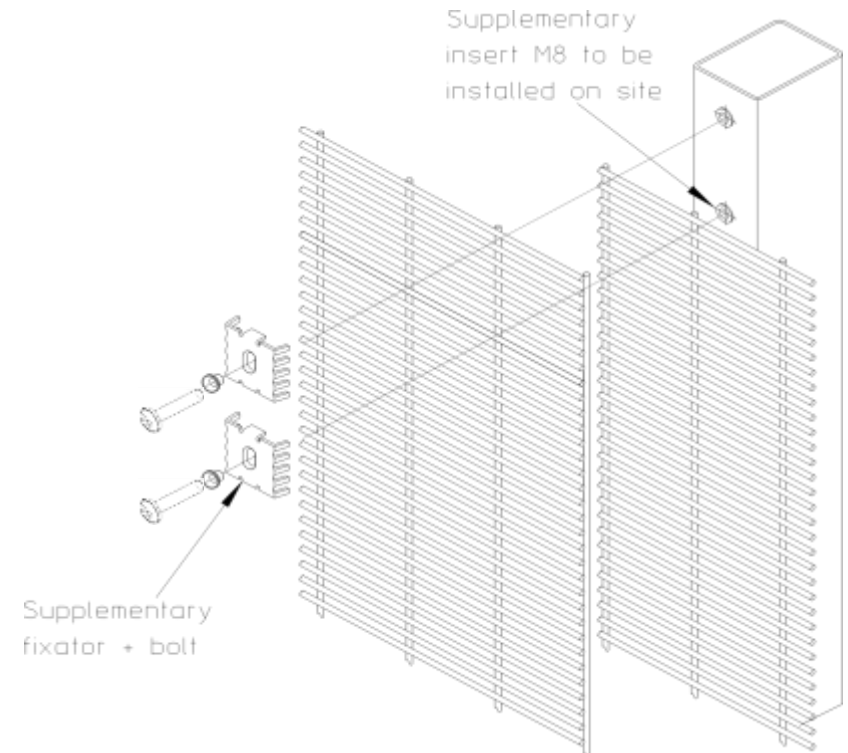
## ■ Special cases

### — Shortening of panels

- If panels have to be shortened, for instance at the end of the fence-line or in the corners, this has to be done by complete meshes. This means by multiples of 76.2mm. The distance between two posts has to be reduced accordingly.

### — Slopes

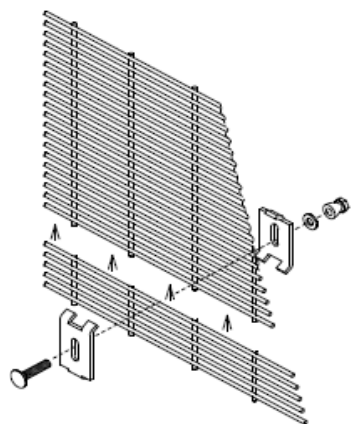
- In case of a slope, we recommend to check the different levels and to decide on the best position and stepping (and the number of steps) to be made.
- A step in height always has to be a multiple of 12.7mm. A step of 330.2mm in height is the maximum recommended.
- Once the stepping of the panel is determined, an insert M8 has to be installed at the correct position (to be done by the installer) to be able to install an extra fixator at that position.
- In case of a slope and with cover plates, longer cover plates have to be made (MTO) with extra holes.



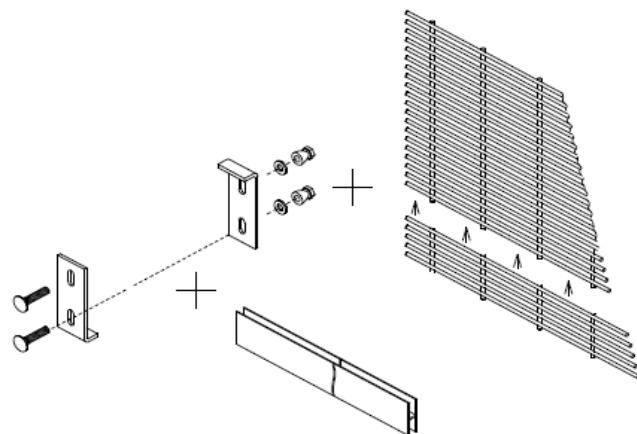
# 3. Options

## ■ Special cases

- Joining 2 panels in the vertical plane



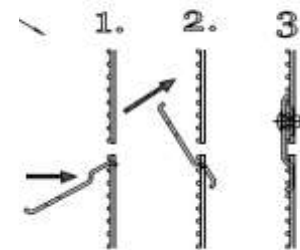
OR



standard connection-  
piece , galvanised  
(and polyester-coated)  
with mushroom head  
square neck bolt, washer  
and self-bracking nut  
stainl.steel M8x30

Two identical connection-  
pieces , galvanized and  
polyestercoated with two  
bolts , washers and self-  
breaking nuts M8x35

OR



**Betafence España, S.L**  
Sociedad Unipersonal  
C/ López Bravo, 94  
Apartado de correos 347  
E-09001 BURGOS  
Tel. + 34.947.298.544  
Fax. + 34.947.298.670  
info.spain@betafence.com

**Betafence France SAS**  
2 rue Alexis de Tocqueville  
Parc de Haute Technologie  
F-92183 Antony Cedex  
Tel. 01 40 96 26 22  
Fax 01 40 96 26 06  
info.france@betafence.com

**Betafence Portugal, Lda.**  
Av. Almirante Gago Coutinho  
Nº 56 - 2º Esq. Frente  
P-1700-031 Lisboa  
Tel: ++ 351.218.470.040  
Fax: ++ 351.218.470.045  
info.portugal@betafence.com

**Betafence NV**  
Sales Benelux  
Deerlijkstraat 58A  
B-8550 Zwevegem  
Tel. +32 (0)56 73 46 46  
Fax. +32 (0)56 73 45 45  
Tel. NI. 0800-022 03 59  
Fax. NI. 0800-022 77 45  
info.benelux@betafence.com

**Betafence NV**  
Sales Export  
Deerlijkstraat 58A  
B-8550 Zwevegem  
Tel.: +32 (0)56 73 45 28  
Fax: +32 (0)56 73 45 97  
info.export@betafence.com

**Betafence Italia S.p.A.**  
C.da Salinello, 59 – 64018  
I-Tortoreto (TE)  
Tel : 0861 7801  
Fax : 0861 781650  
info.italy@betafence.com

**Betafence GmbH**  
Runtestrasse 5-9 & 24  
D-59457 Werl  
Tel . +49/2922/9890  
Fax. +49/2922/989 153  
info.germany@betafence.com

**Betafence Limited**  
P.O. Box 119  
Shepcote Lane  
UK-Sheffield S9 1TY  
tel: +44 870 127 0027  
fax: +44 870 127 0028  
info: sales.sheffield@betafence.com

**Betafence Sweden**  
Gräsvägen 8B  
S-448 36 Floda  
Tel. +46 (0)302 356 25  
Fax. +46 (0)302 357 25  
info.nordic@betafence.com

Betafence is the world leader in physical perimeter fencing systems  
and access control

All Betafence companies and product names are trademarks owned by  
Betafence Holding

Modifications in assortment and products reserved  
04/2010