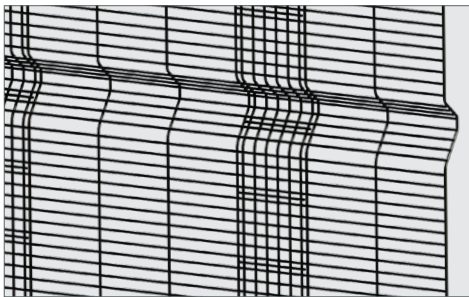




BETAVIEW® 3D R SYSTEM

COMPLETE HIGH-SECURITY SYSTEM

System detail



A PANEL, POST & FIXATOR COMBINATION DESIGNED TO DELIVER EXTENDED BREAKTHROUGH RESISTANCE AND RIGIDITY THROUGH ADDED WELDED STRIPS.

FEATURES & BENEFITS

- **Complete system**

Betaview 3D R is a complete perimeter security system consisting of reinforced Securifor 3D R panels, Bekafix Plus posts, and stainless steel spider bracket fixators. Combined, these components deliver the aesthetic high-security protection the Betaview system is known for.

- **Added rigidity and protection**

Betaview 3D R features an additional strip welded, at intervals, to the front panel and four reinforcing bends to significantly increase the system's rigidity and protection levels.

- **Breakthrough and scaling resistant**

The small apertures make the panel both difficult to climb and time consuming to cut. The added double strips deliver additional resistance to breakthrough attempts.

- **Cost-effective system**

The 3 m wide panels mean fewer panels and posts are required over long distances when compared to traditional 2.5 m wide panels, and conforms to insulator spacing requirements for electric fence installations. Its higher rigidity removes the necessity of top rails.

- **Visibility and aesthetics**

Despite the small mesh apertures, the system appears almost invisible and delivers excellent visibility when combined with surveillance systems.

- **Full system 10-year guarantee** (standard terms & conditions apply)

Superior coatings underpin our 10-Year anti-corrosion guarantee when the full system (panels, Bekafix Plus posts, and Betafence fixators) is used.

Security level



Applications



Functionalities

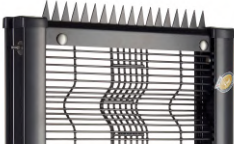
Securifor 3D R Panels



76.2 mm wide, heavy welded Securifor strips are welded onto a Securifor 3D panel at intervals of 304 mm or 228 mm, depending on the number of strips per panel.

Width: 3030 mm
Height: 2400 mm

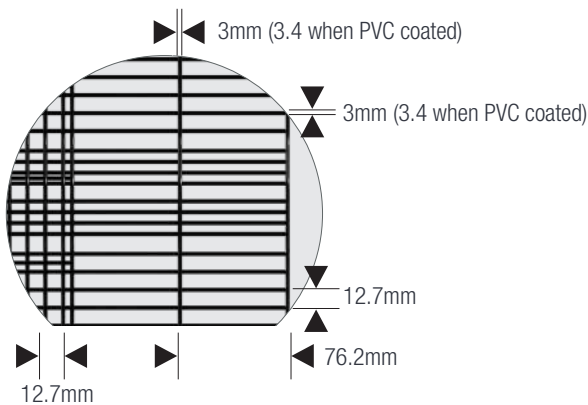
Optional features



Increase your perimeter's protection by adding sawtooth top rails to further discourage climbing attempts.

Wire and Apertures

Securifor 3D R panels are made from 3 mm diameter ZincAlu® Super wire (3.4mm when PVC coated) with apertures of 76.2 mm x 12.7 mm (12 mm x 12 mm in the double layered strip) which makes it time consuming to break through and difficult to climb.



Quality Assurance

Our range of high-security products are locally manufactured in our South African ISO 9001:2015 quality certified facility.

Variations (V8 & V10)

Securifor 3D R panels are available in two variations.

- V8 has 8 strips welded onto the panel at intervals of 304 mm.
- V10 has 10 strips welded onto the panel at intervals of 228 mm.

Increasing the number of strips per panel proportionately increases the system's breakthrough resistance and strength.

Posts & Fixing Mechanisms



Bekafix® Plus posts are specifically designed and engineered to be used with Betafence's high-security panels.

The fence is safely tucked behind the lip of the post, resisting against attempts to pry the panel loose. The panels are secured to the post with specialized FlatMax fixators. Stainless steel M6 tamper-proof bolts are bolted through the post and secured with shear-off nuts to provide maximum resistance against tampering.

This combination of Betafence panels with Bekafix Plus post and superior fixing mechanisms delivers a complete fencing system that ensures the installation's integrity and protection levels.

Durable High-Quality Coatings



Highly durable Zincalu® Super and optional PVC coatings guarantee an extra-long lifespan and low maintenance, delivering superior protection in even the harshest environments.

Available in Zincalu® Super only or with an additional PVC coating on panels in green RAL 6005 or anthracite RAL 7021.

Additional Security Accessories

Extended posts and brackets are available to accommodate additional security features such as electric fencing*, flat wrap razor, or BTC coil toppings. Top and / bottom rails further discourages climb over attempts.

*Supplied and installed by third parties.

Panel version	Panel size width x nominal height (mm)	Wire diameter (mm)	Post length (mm)	Bends per panel	Double strips per panel
V8	3050 x 2400	3 (3.4 when PVC coated)	3200	4	8
V10	3050 x 2400	3 (3.4 when PVC coated)	3200	4	10



BETA FENCE
Securing What Matters

betafence.com/contact

Betafence is the world market leader in fencing solutions, access control and detection for perimeter protection. All Betafence companies and product names are trademarks owned by PRÆSIDIAD Group Limited. Modification in products and assortment are subject to change without prior notice.

Proud to be a PRÆSIDIAD brand, Betafence is part of a global network, working alongside Guardiar and Hesco as a leader in perimeter security systems and solutions. For more information please visit praesidiad.com.